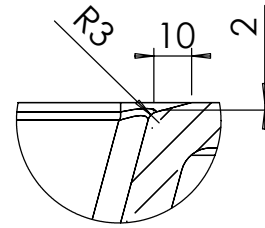
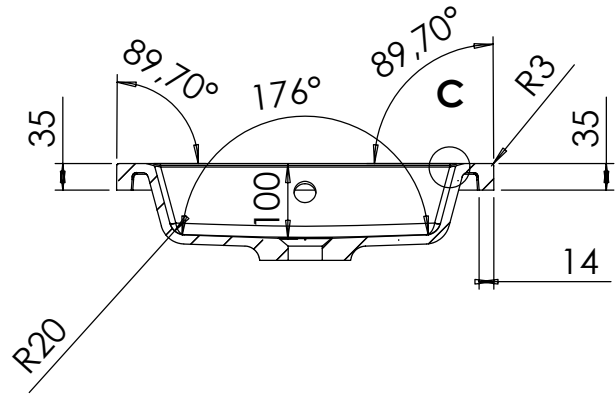
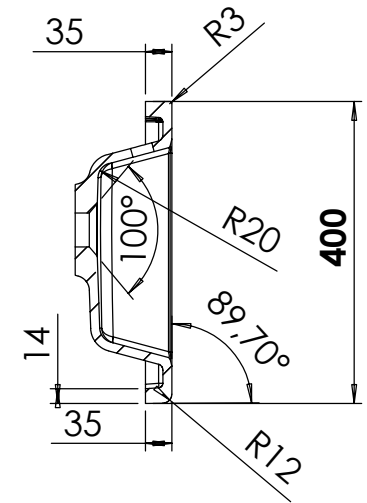
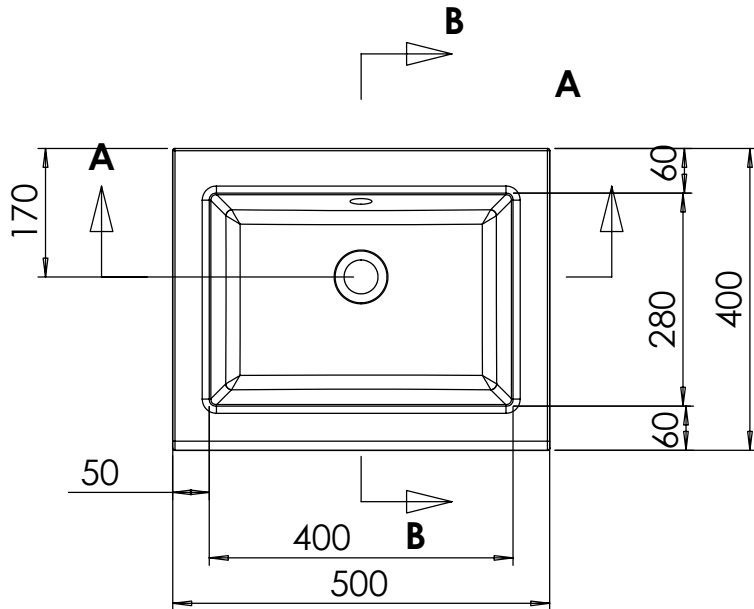
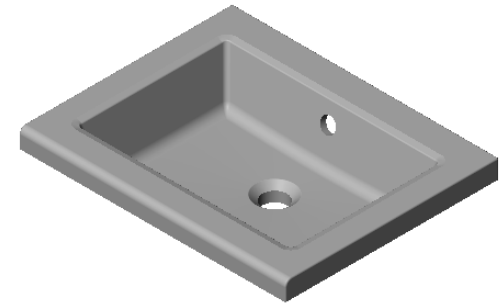


PROPRIETARY AND CONFIDENTIAL  
 THE INFORMATION CONTAINED IN THIS DRAWING IS THE SOLE PROPERTY OF MUSCLE MACHINE AB.  
 ANY REPRODUCTION IN PART OR AS A WHOLE WITHOUT THE WRITTEN PERMISSION OF MUSCLE MACHINE AB IS PROHIBITED.

**SECTION A-A**



**DETAIL C  
SCALE 1 : 2**



**SECTION B-B**

Tolerance length	+3/-0 mm	Ritad. <b>DALLE</b>	Konstr. <b>DR</b>	Skala <b>1:10</b>	<b>040923 Marmite</b>	Filmnamn <b>1008051</b>
Tolerance length granite	+1,5/-1,5 mm				<b>FELICIA 500 c</b> <b>500 x 400 /35</b> <b>1008051xx</b>	Ersätter
Tolerance taphole location	+1/-1 mm					Ritning
Variation overflowhole location	+1/-1 mm					
Tolerance plane bending	+1,5/-1,5 mm					
						<b>1:3</b>