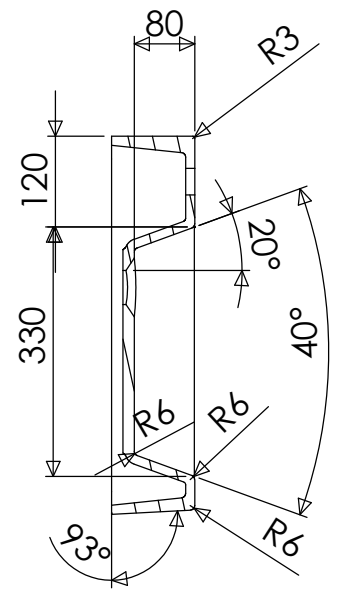
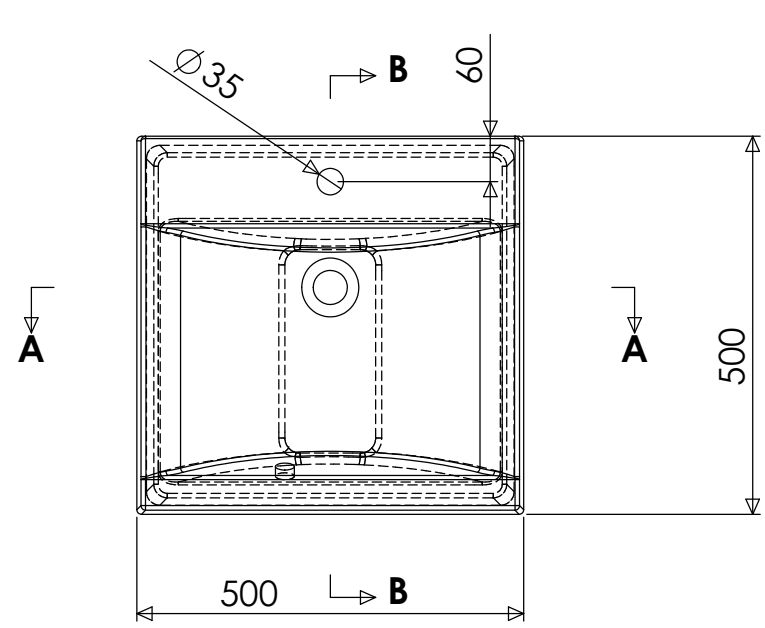
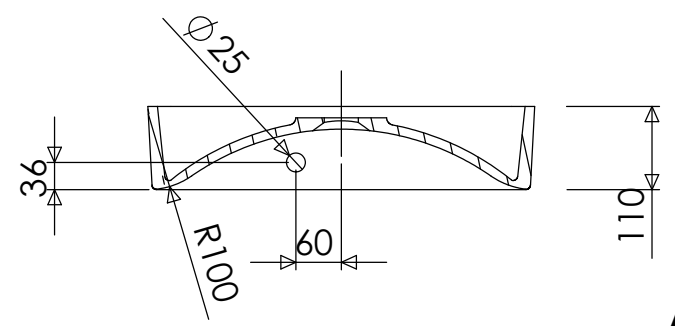


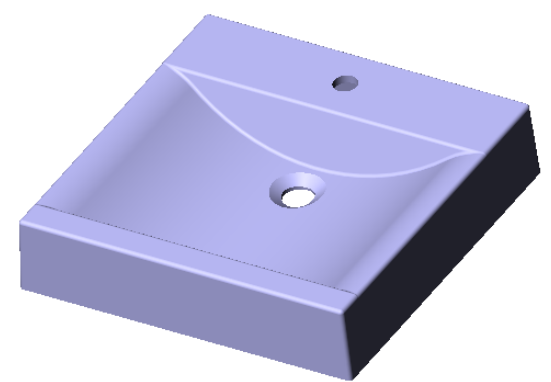
PROPRIETARY AND CONFIDENTIAL
 THE INFORMATION CONTAINED IN THIS DRAWING IS THE SOLE PROPERTY OF MUSCLE MACHINE AB.
 ANY REPRODUCTION IN PART OR AS A WHOLE WITHOUT THE WRITTEN PERMISSION OF MUSCLE MACHINE AB IS PROHIBITED.




B-B (1 : 10)



A-A (1 : 10)



Tolerance length	+3/-0 mm	SW	SW	Skida 1:20	060320	Marmite	500c
Tolerance length granite	+1,5/-1,5 mm					Marmite Lilly 500c	Ersätter
Tolerance taphole location	+3/-3 mm						1184051xx-
Variation overflowhole location	+3/-3 mm					With Overflow /Med bräddavlopp	1:2
Tolerance plane bending	+1,5/-1,5 mm						