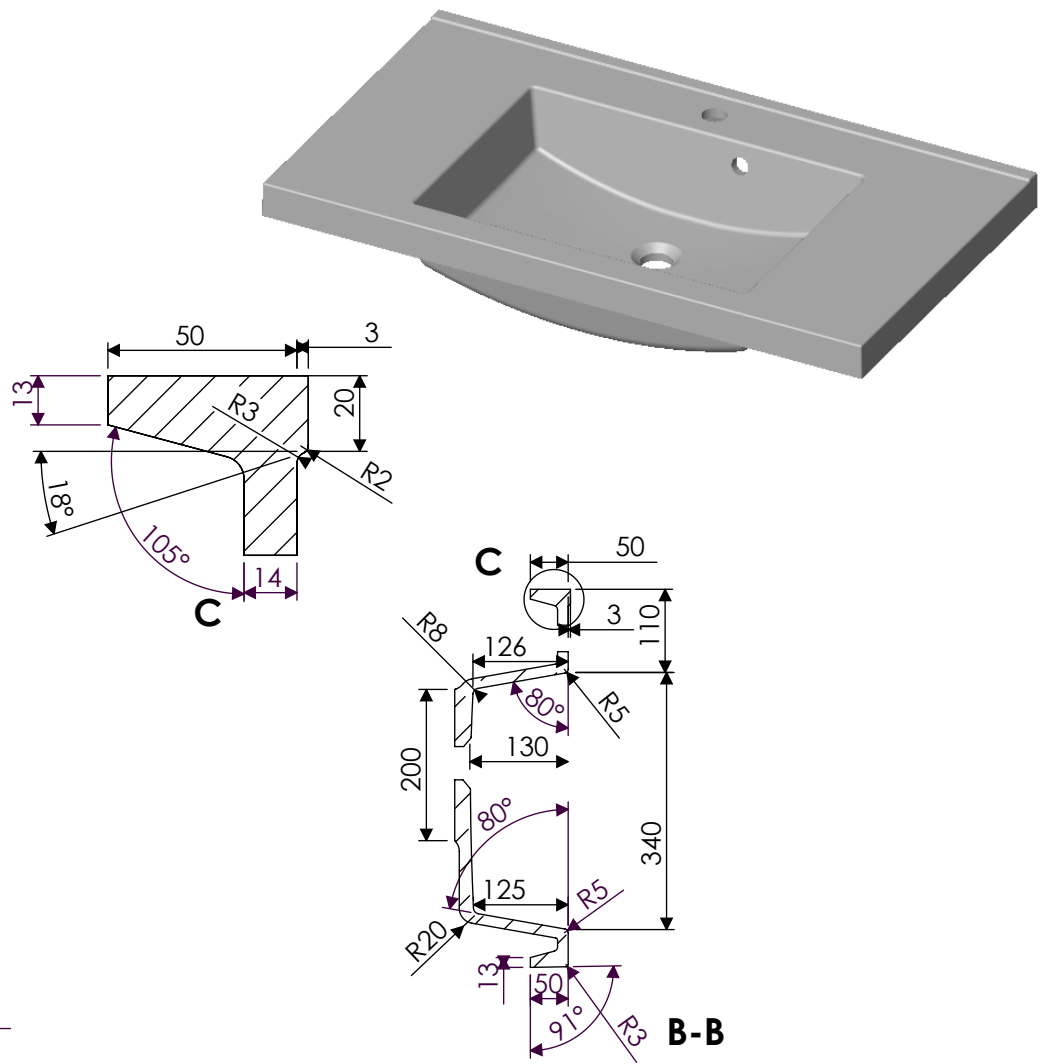
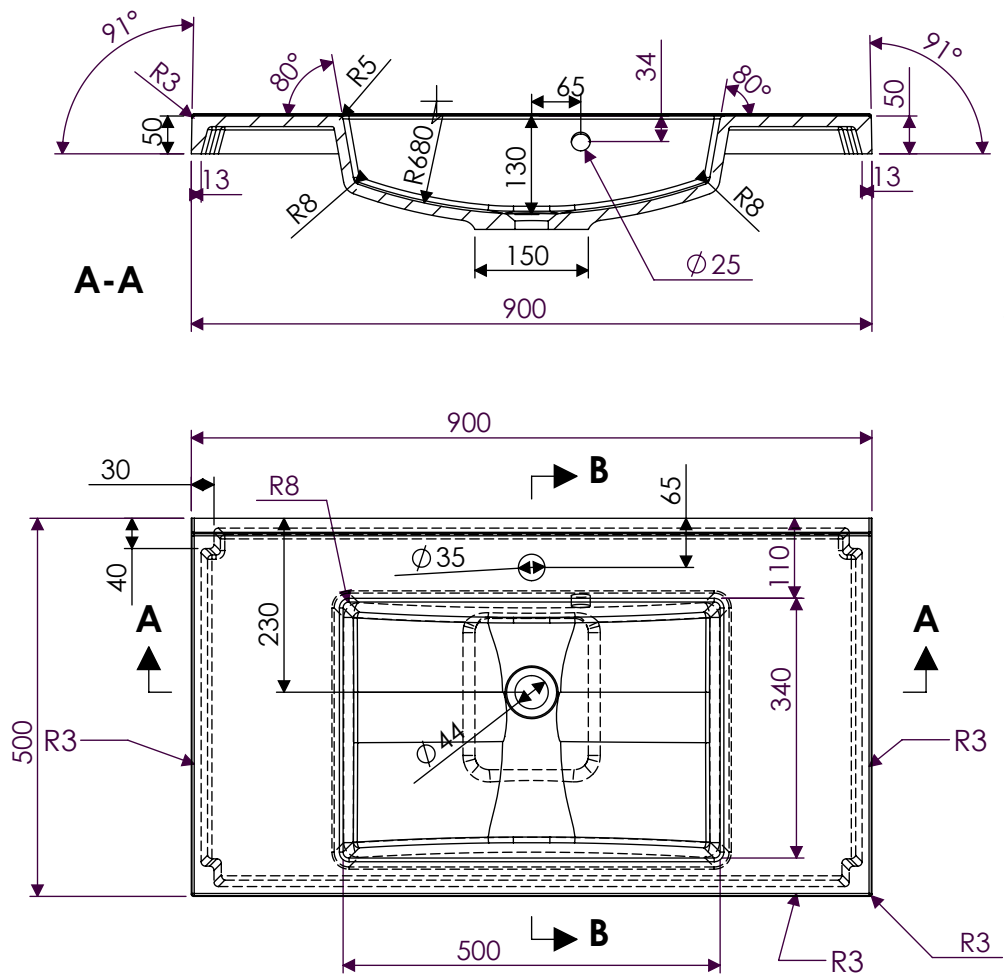



PROPRIETARY AND CONFIDENTIAL  
 THE INFORMATION CONTAINED IN THIS DRAWING IS THE SOLE PROPERTY OF MUSCLE MACHINE AB.  
 ANY REPRODUCTION IN PART OR AS A WHOLE WITHOUT THE WRITTEN PERMISSION OF MUSCLE MACHINE AB IS PROHIBITED.



Tolerance length	+3/-0 mm
Tolerance length granite	+1,5/-1,5 mm
Tolerance taphole location	+3/-3 mm
Tolerance overflowhole location	+3/-3 mm
Tolerance plane bending	+1,5/-1,5 mm

Ritnad	DR	Konstr	DR	Skala	1:20	070425	MARMITE	Filenamn	1030091
							<b>JOSEFINE 900C</b> <b>1030091xx</b>	Ersätter	
								Revision	
							Ritning		<b>1:5</b>