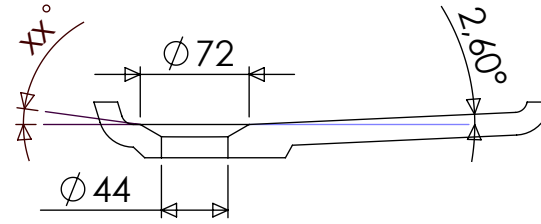
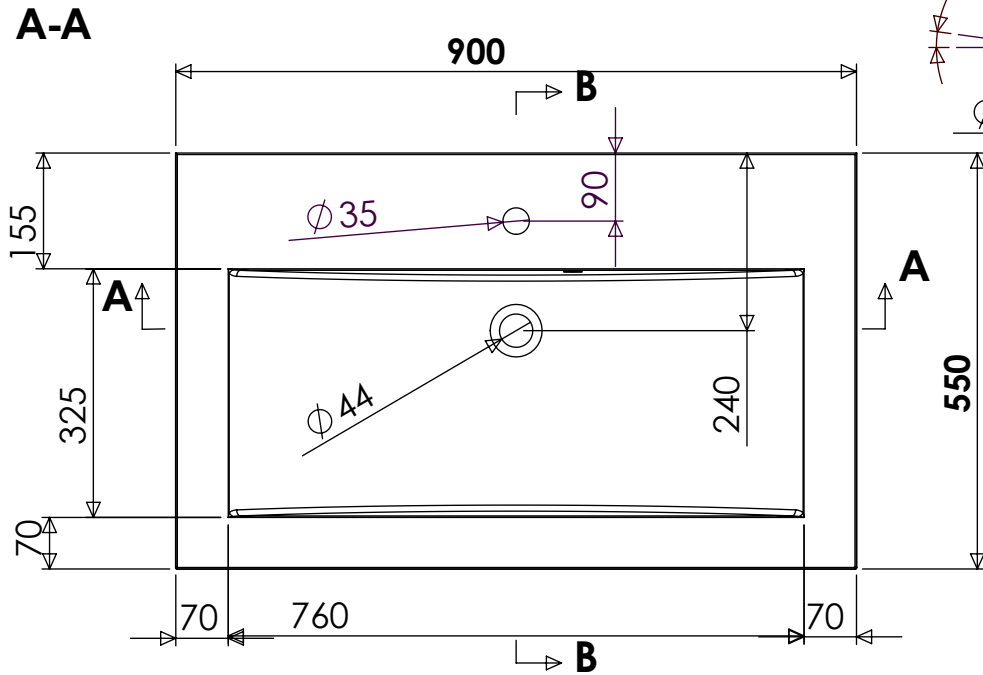
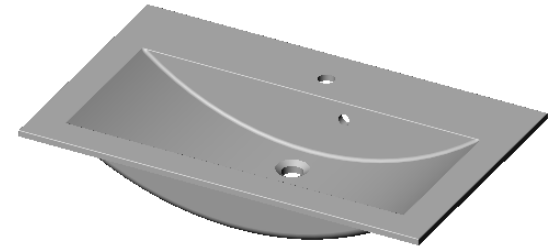
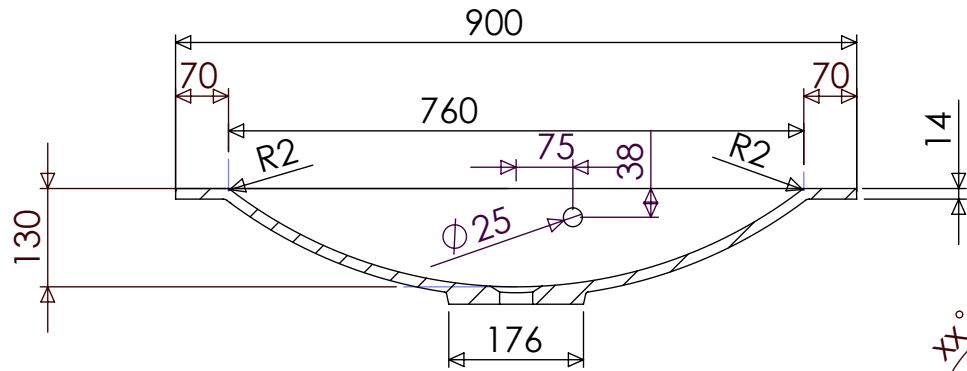
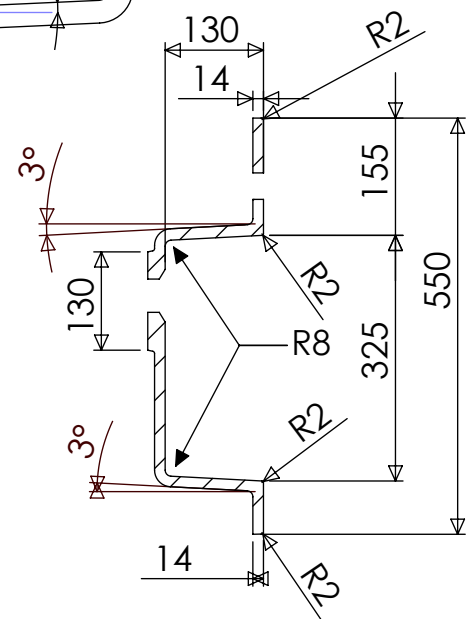


PROPRIETARY AND CONFIDENTIAL
 THE INFORMATION CONTAINED IN THIS DRAWING IS THE SOLE PROPERTY OF MUSCLE MACHINE AB.
 ANY REPRODUCTION IN PART OR AS A WHOLE WITHOUT THE WRITTEN PERMISSION OF MUSCLE MACHINE AB IS PROHIBITED.



SECTION B-B



Tolerance length	+3/-0 mm	DR	DR	Skidja 1:10	060927 MARMITE	900c
Tolerance length granite	+1,5/-1,5 mm				MIKAELA 900 c	ErsÖtter
Tolerance taphole location	+3/-3 mm					
Variation overflowhole location	+3/-3 mm				1035091xx	1:7
Tolerance plane bending	+1,5/-1,5 mm					