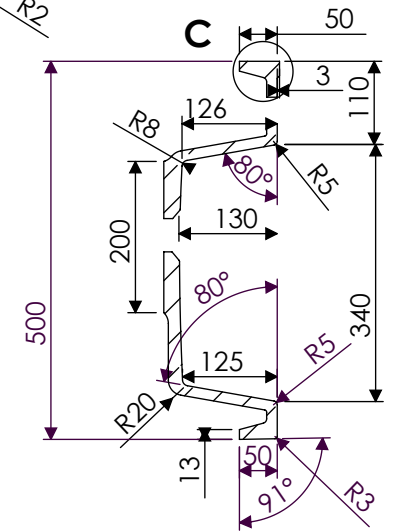
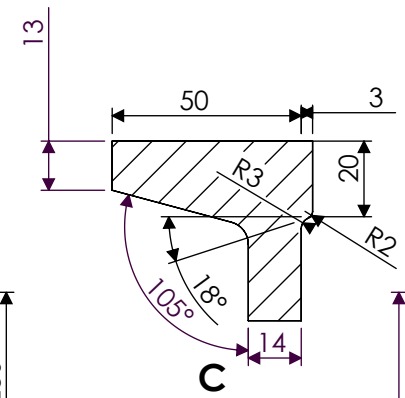
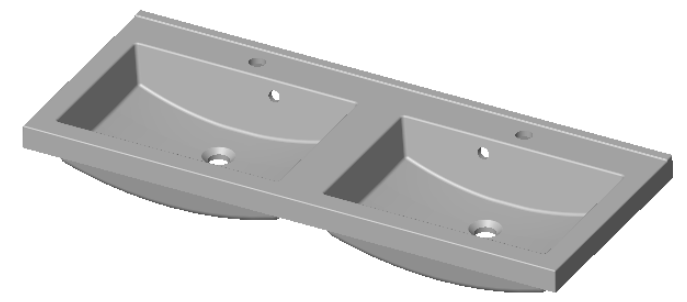
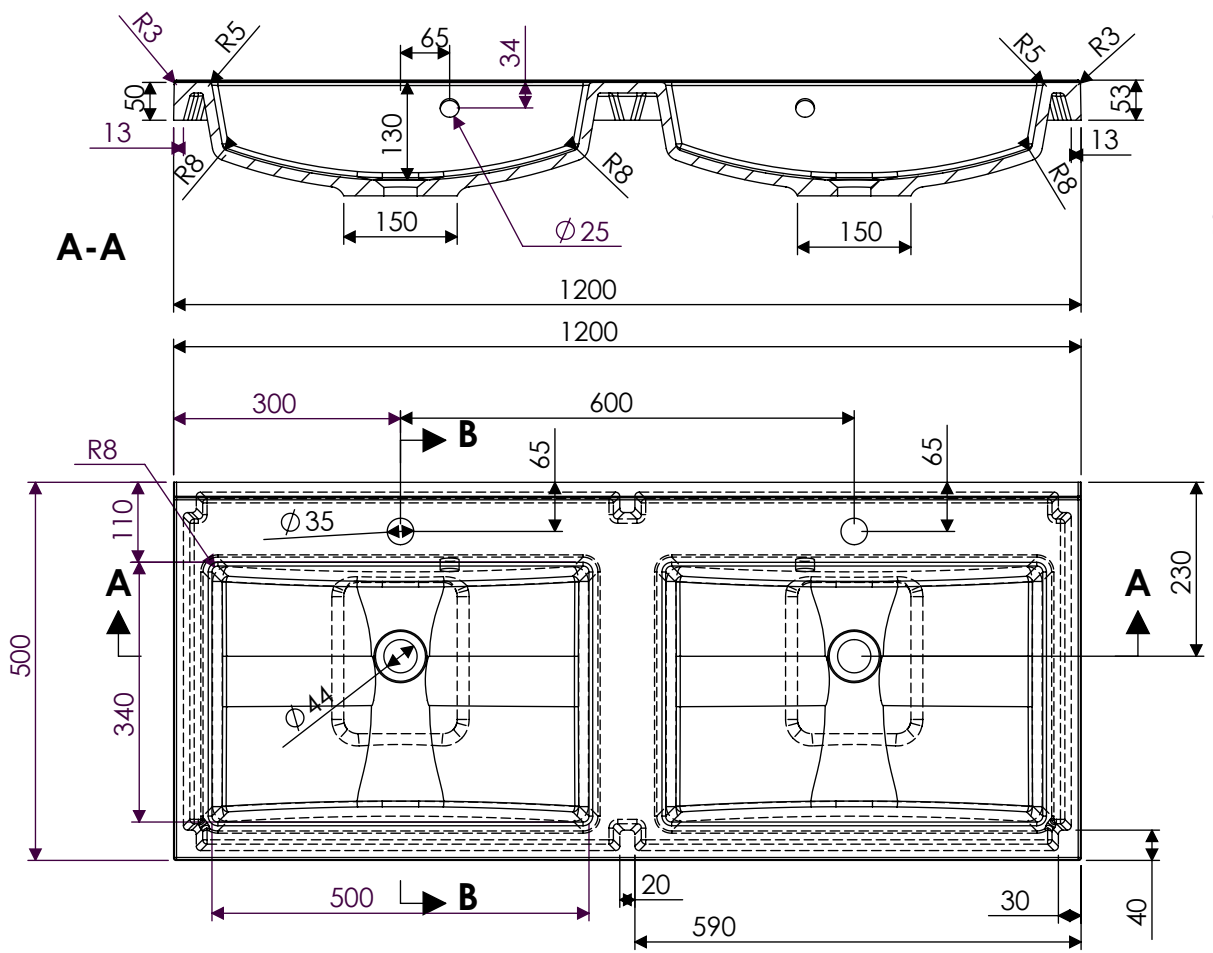



PROPRIETARY AND CONFIDENTIAL
 THE INFORMATION CONTAINED IN THIS DRAWING IS THE SOLE PROPERTY OF MUSCLE MACHINE AB.
 ANY REPRODUCTION IN PART OR AS A WHOLE WITHOUT THE WRITTEN PERMISSION OF MUSCLE MACHINE AB IS PROHIBITED.



Tolerance length	+3/-0 mm
Tolerance length granite	+1,5/-1,5 mm
Tolerance taphole location	+3/-3 mm
Tolerance overflowhole location	+3/-3 mm
Tolerance plane bending	+1,5/-1,5 mm

Ritad	DR	Konstr	DR	Skala	1:20	070425	MARMITE	Filenamn	1030124	
							JOSEFINE 1200D 1030124xx		Ersätter	
									Revision	Revdatt
Ritning 1:4										