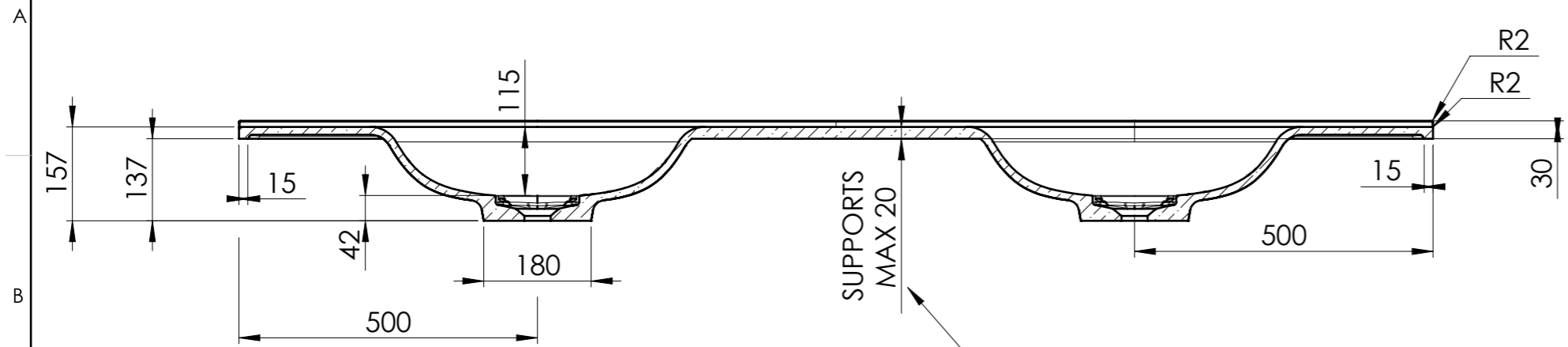
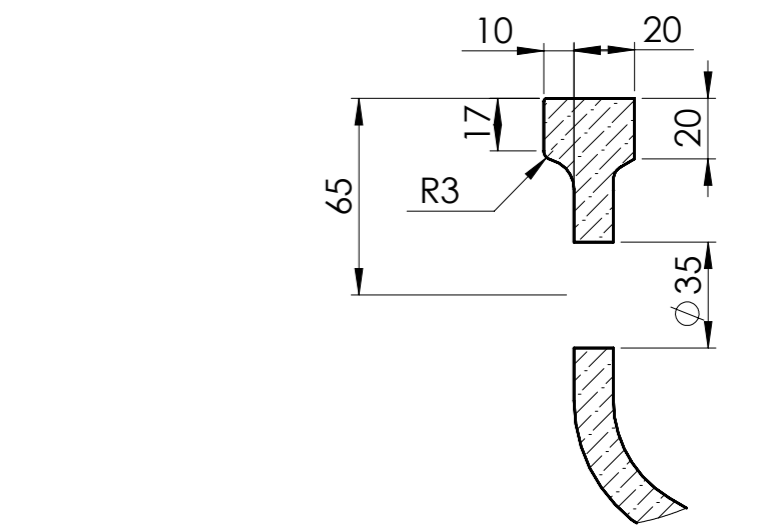


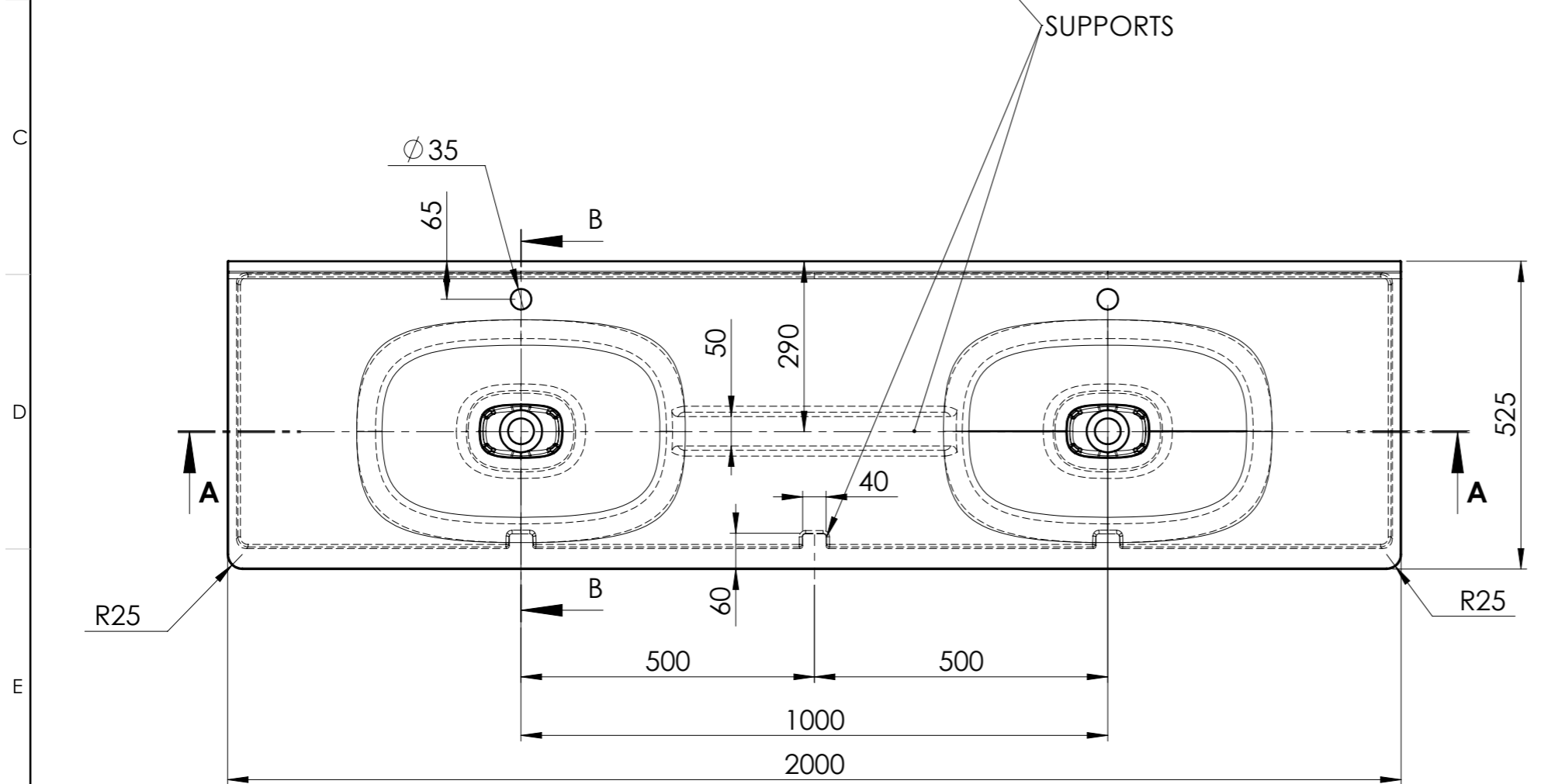
Nr	Ändring	Datum	Godk av
----	---------	-------	---------



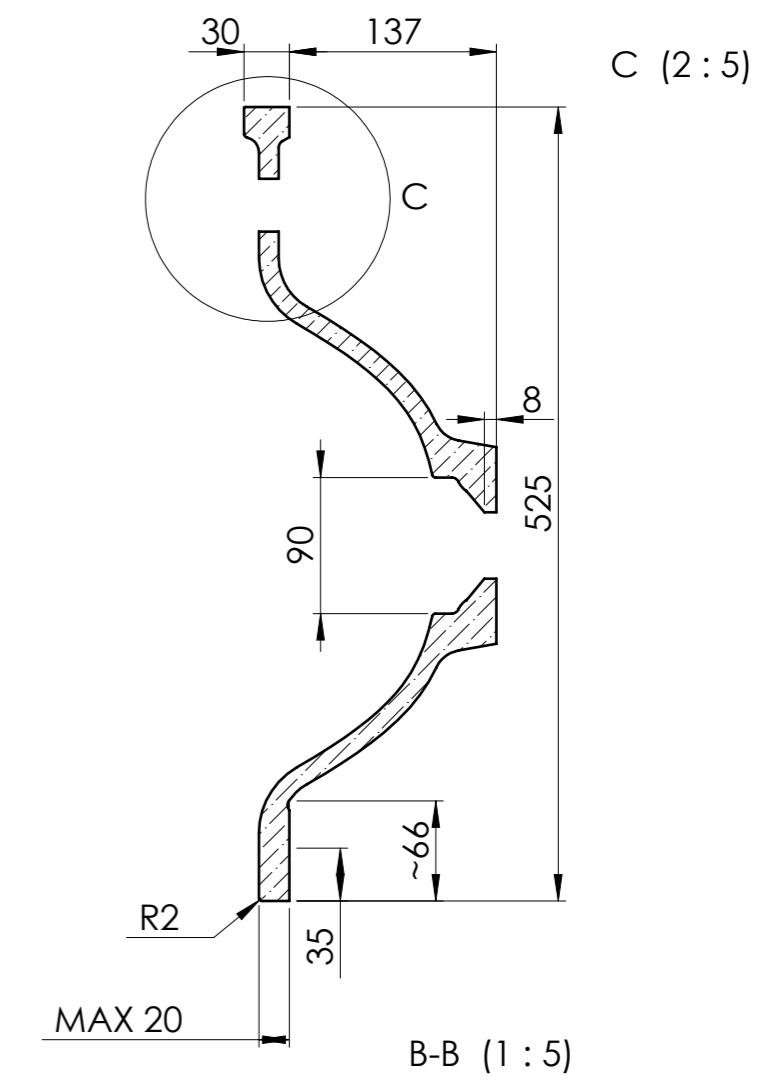
A-A (1 : 10)



C (2 : 5)



SUPPORTS



B-B (1 : 5)

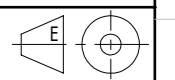
This document must not be copied without our written permission, and the contents thereof must not be imparted to a third party nor be used for any unauthorized purpose. Contravention will be prosecuted.

Tolerance length	+3/-0 mm
Tolerance length granite	+1.5/-1.5 mm
Tolerance Taphole Location	+3/-0 mm
Tolerance overflowhole Location	+3/-0 mm
Tolerance plane bending	+1.5/-1.5 mm

2009

Kund
MARMORO s.r.o.



Tolerans Length (mm)	+3/-0	Skala	1:20	
Titel / Benämning		CAVALLI 2000D		
Dimensions		2000 x 525		
Client ID		2009	Rev	Blad 1 (8)