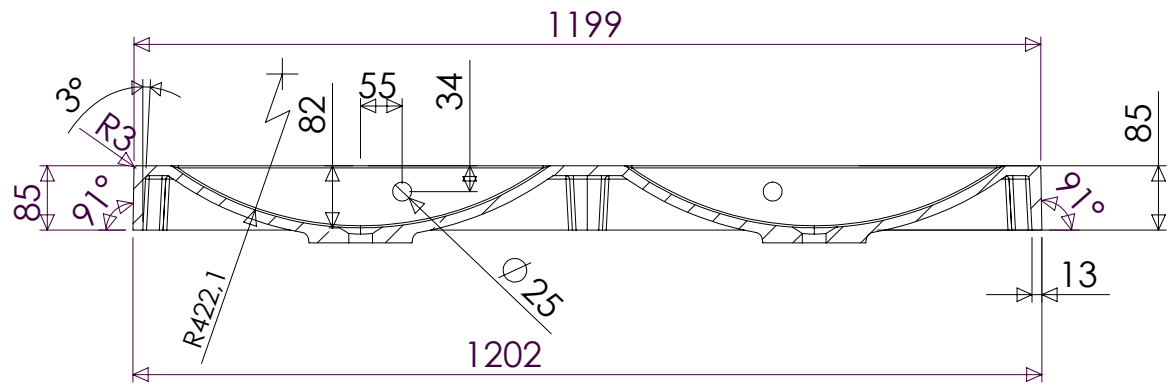
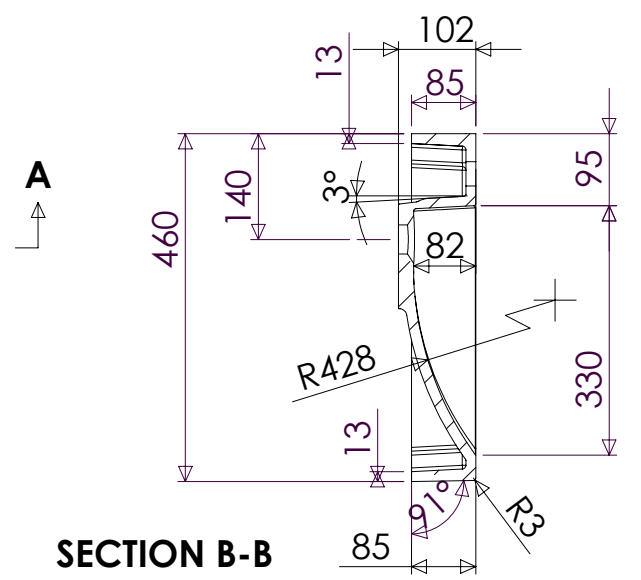
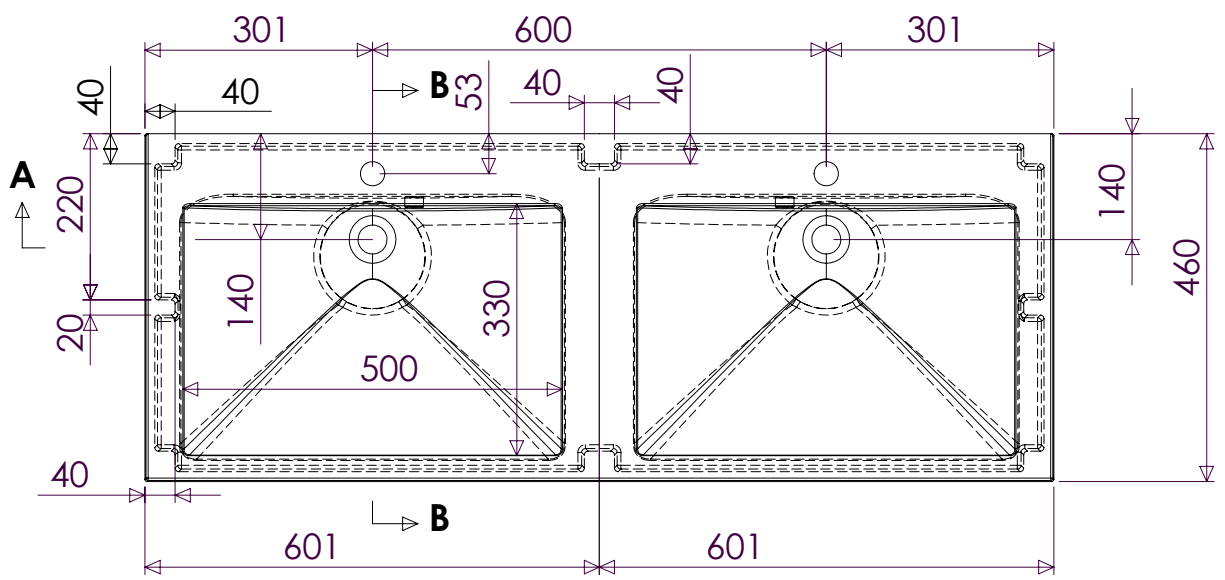
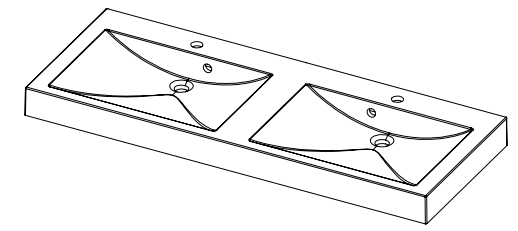


PROPRIETARY AND CONFIDENTIAL
 THE INFORMATION CONTAINED IN THIS DRAWING IS THE SOLE PROPERTY OF MUSCLE MACHINE AB.
 ANY REPRODUCTION IN PART OR AS A WHOLE WITHOUT THE WRITTEN PERMISSION OF MUSCLE MACHINE AB IS PROHIBITED.



SECTION A-A



SECTION B-B

Tolerance length	+3/-0 mm	DR	DR	Skala 1:5	081222	Marmite	1202
Tolerance length granite	+1,5/-1,5 mm					CATRINE 1202 d 6010031242xx 1202 x 460	ErsÖther
Tolerance taphole location	+3/-3 mm						Ritning
Variation overflowhole location	+3/-3 mm						1:5
Tolerance plane bending	+1,5/-1,5 mm						