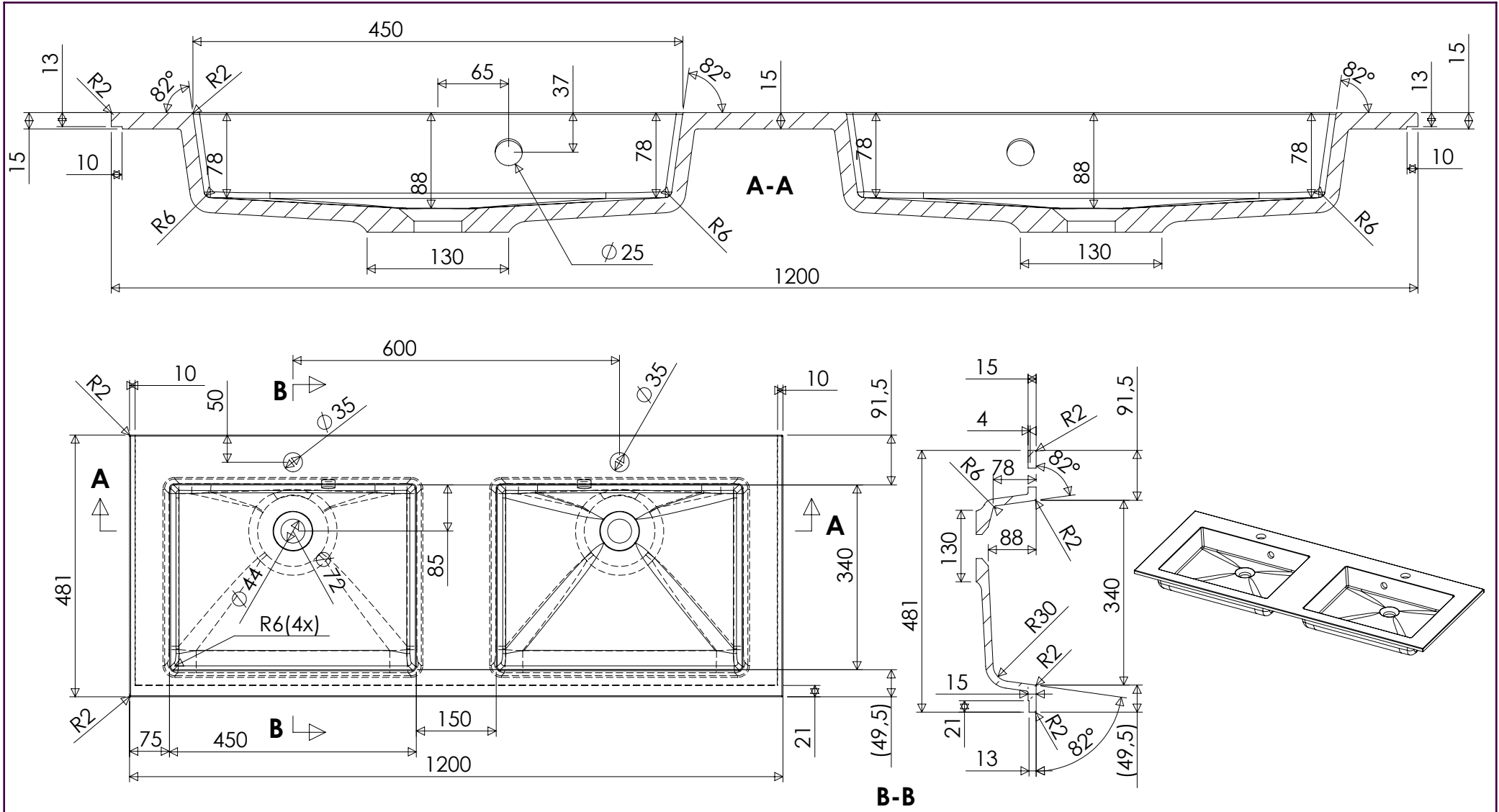


PROPRIETARY AND CONFIDENTIAL
 THE INFORMATION CONTAINED IN THIS DRAWING IS THE SOLE PROPERTY OF MUSCLE MACHINE AB.
 ANY REPRODUCTION IN PART OR AS A WHOLE WITHOUT THE WRITTEN PERMISSION OF MUSCLE MACHINE AB IS PROHIBITED.



Tolerance length	+3/-0 mm	Ritad	DR	Konstr	DR	Skala	1:10	090806	MARMITE	Filnamn	6010621242	
Tolerance length granite	+1,5/-1,5 mm	LAURA 1200D 6010621242xx 							ErsÖtter			
Tolerance taphole location	+3/-3 mm								Revision		Revdat	
Tolerance overflowhole location	+3/-3 mm								Ritning			
Tolerance plane bending	+1,5/-1,5 mm								1:7			