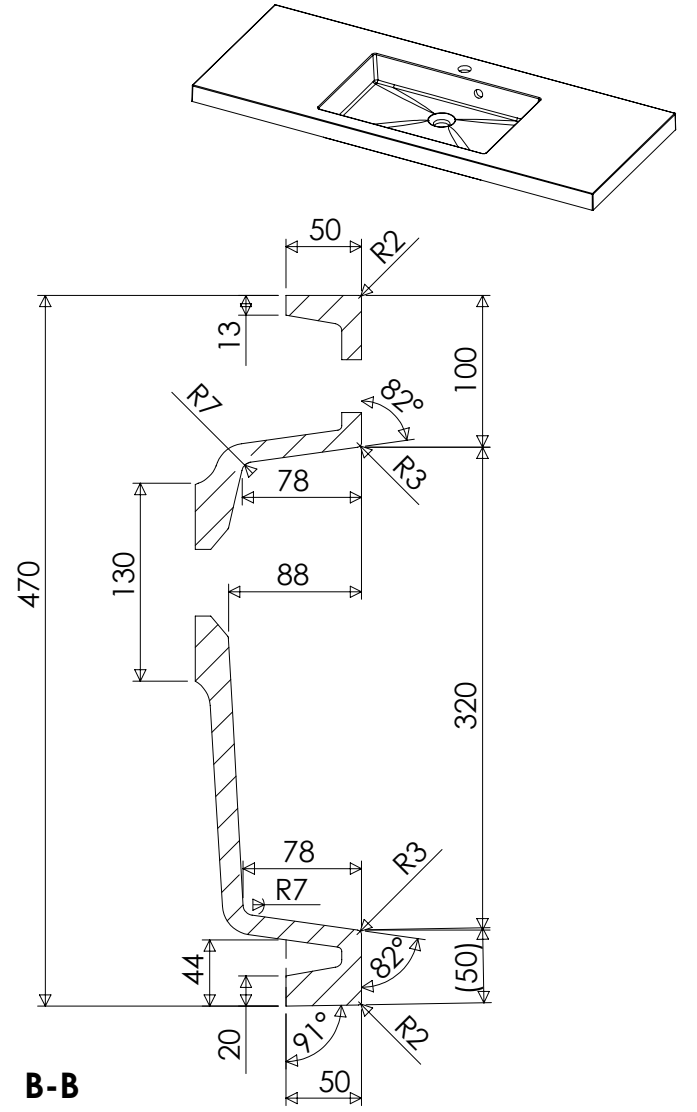
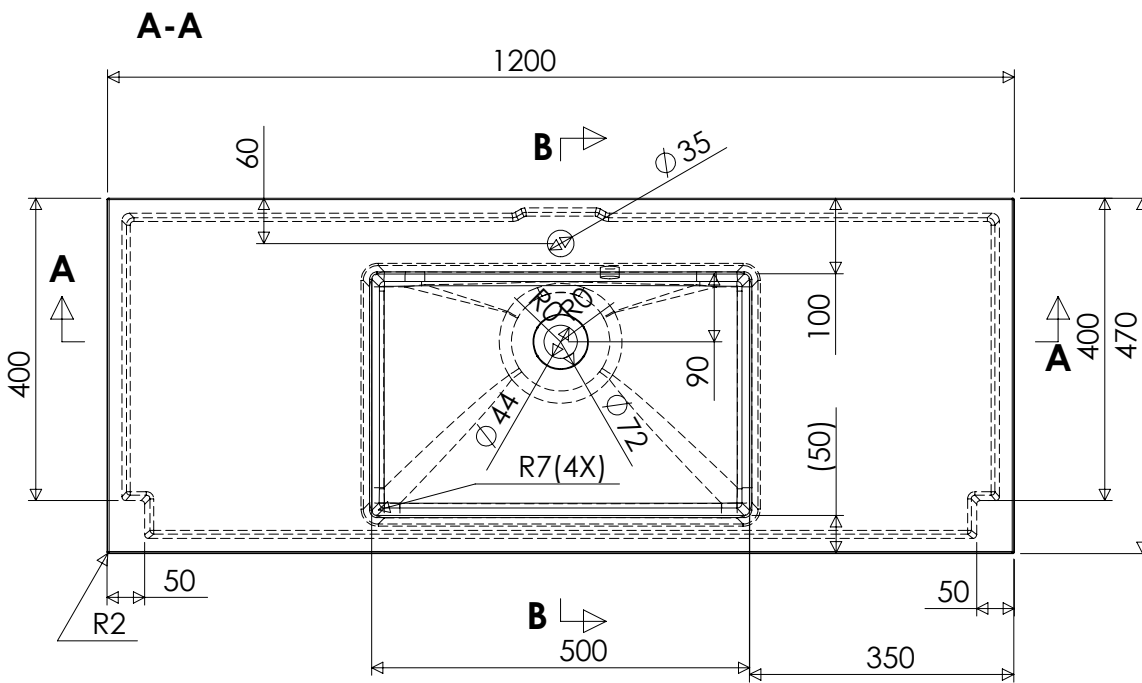
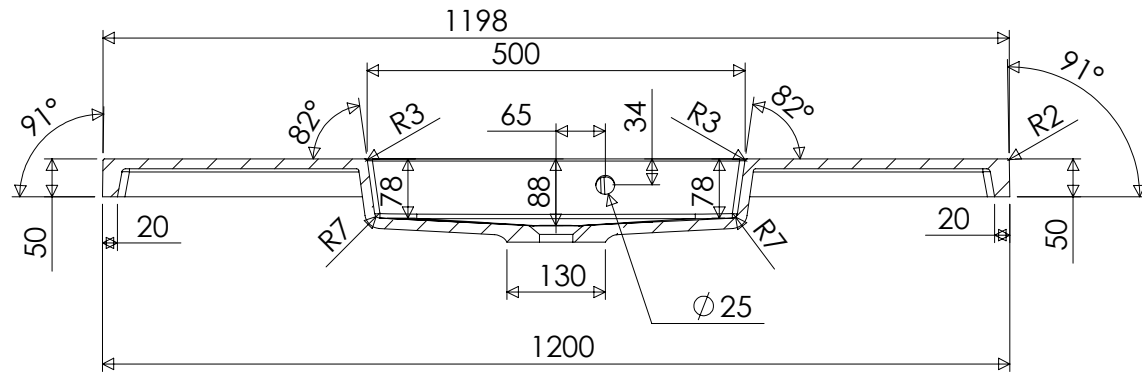


PROPRIETARY AND CONFIDENTIAL  
 THE INFORMATION CONTAINED IN THIS DRAWING IS THE SOLE PROPERTY OF MUSCLE MACHINE AB.  
 ANY REPRODUCTION IN PART OR AS A WHOLE WITHOUT THE WRITTEN PERMISSION OF MUSCLE MACHINE AB IS PROHIBITED.



Tolerance length	+3/-0 mm	Revad	DR	Konstr	DR	Skala	1:10	090617	MARMITE	Filenamn	6010651211		
Tolerance length granite	+1,5/-1,5 mm	<b>MARTA 1200C</b>  <b>6010651211xx</b>								ErsÖtter			
Tolerance taphole location	+3/-3 mm									Revision		Revdat	
Tolerance overflowhole location	+3/-3 mm									Ritning		1:6	
Tolerance plane bending	+1,5/-1,5 mm									marmite®			