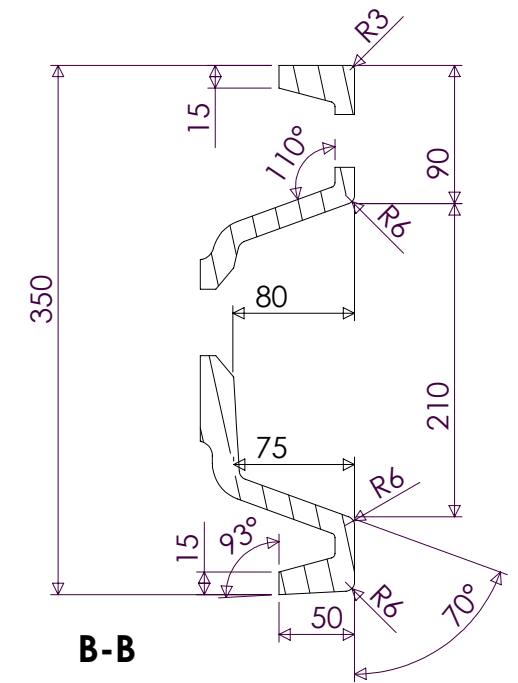
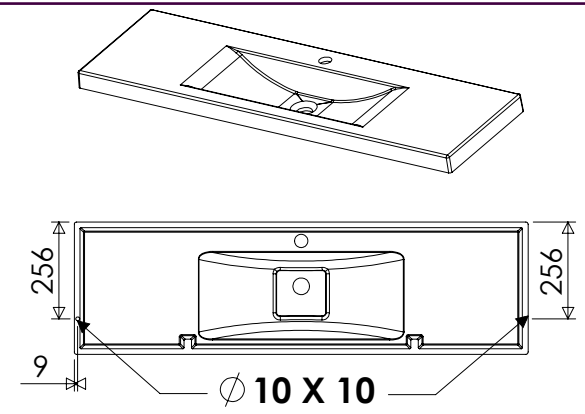
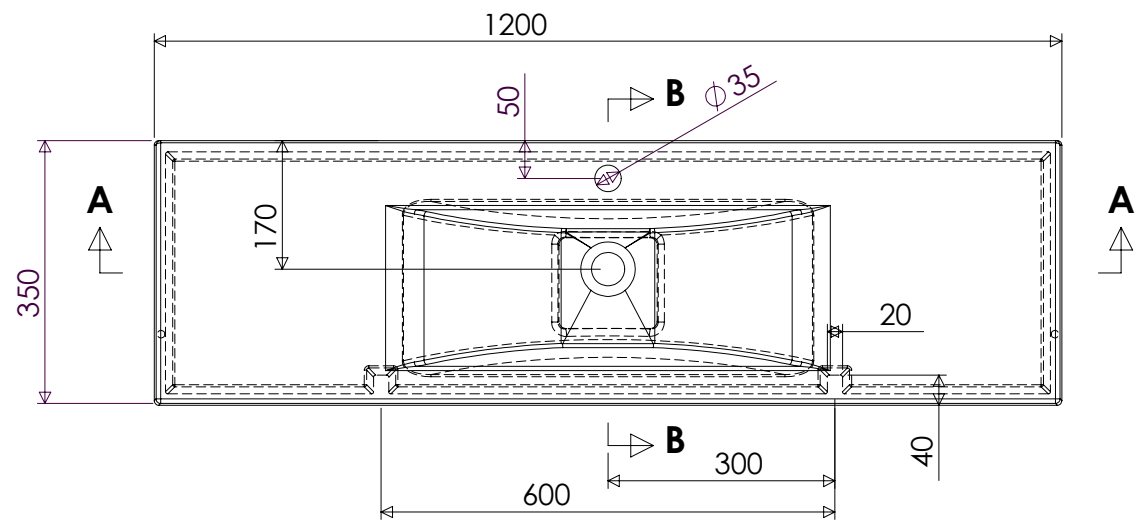
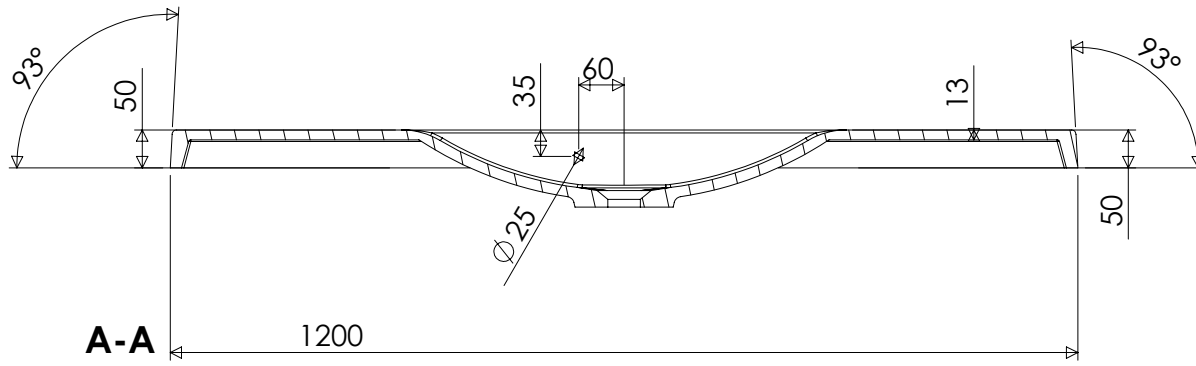


PROPRIETARY AND CONFIDENTIAL
 THE INFORMATION CONTAINED IN THIS DRAWING IS THE SOLE PROPERTY OF MUSCLE MACHINE AB.
 ANY REPRODUCTION IN PART OR AS A WHOLE WITHOUT THE WRITTEN PERMISSION OF MUSCLE MACHINE AB IS PROHIBITED.



Tolerance length	+3/-0 mm	Ritad	DR	Konstr	DR	Skala	1:20	090105	MARMITE	Filmnamn	6010551211	
Tolerance length granite	+1,5/-1,5 mm	SELINA 1200C								Ersätter		
Tolerance taphole location	+3/-3 mm									Revision		
Tolerance overflowhole location	+3/-3 mm									Ritning		
Tolerance plane bending	+1,5/-1,5 mm									1:4		