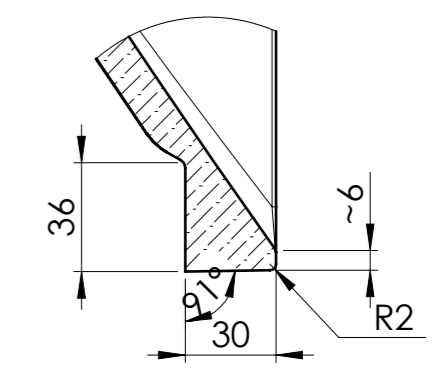
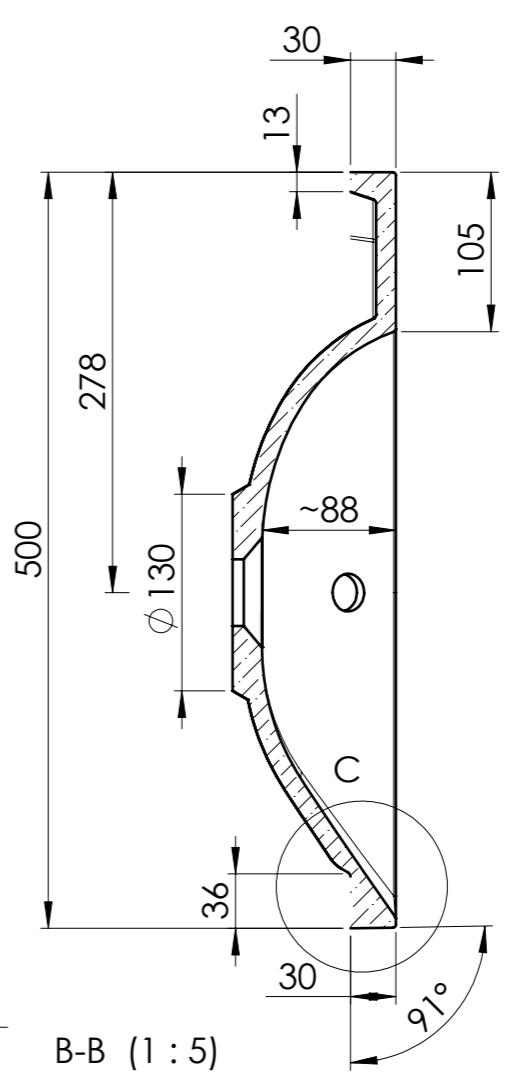
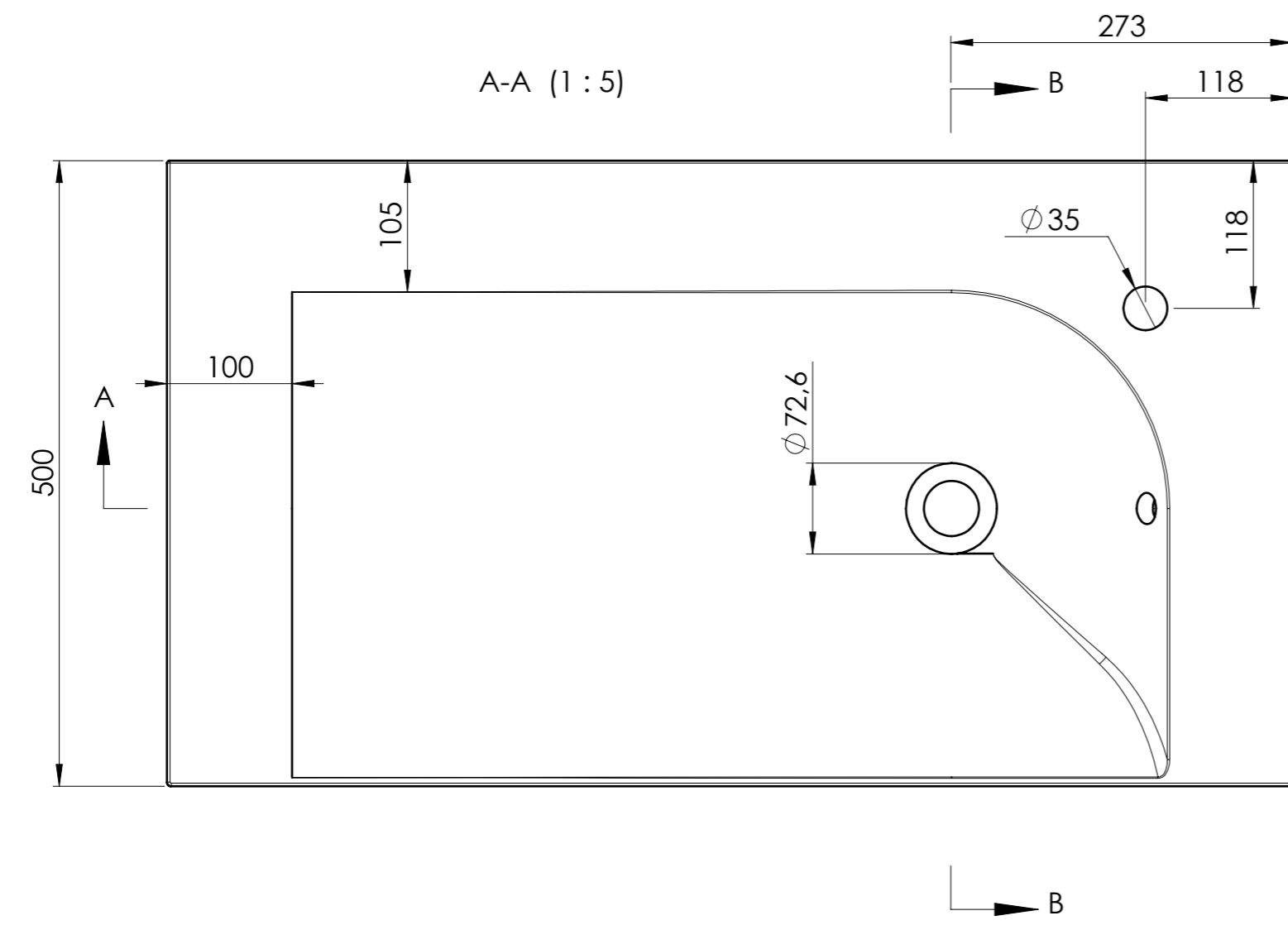


A-A (1 : 5)



B-B (1 : 5)

C (2 : 5)

| | | | | | | | | | | | | | | | | |
|---------------------------------|--------------|----------------|-----------------|----------|--|--------------|----------|-------------------|--|----------------------|-----------------------|-------|------|--|------|-------|
| Tolerance length | +3/-0 mm | Konstruerad Av | DAHMANI | Ritad Av | | Skapad Datum | 09-03-18 | Godkänd Av | | Tolerans Length (mm) | +3/-0 | Skala | 1:10 | | | |
| Tolerance length granite | +1.5/-1.5 mm | Projekt ID | STANDARDMARMITE | | | Kund | | Titel / Benämning | | | FLORENCE 900 R | | | | | |
| Tolerance Taphole Location | +3/-3 mm | Agare | | | | | | MM Art.nr | | | 6010760921xx | | | | | |
| Tolerance overflowhole Location | +3/-3 mm | | | | | | | Dimensions | | | 900 x 500 | | | | | |
| Tolerance plane bending | +1.5/-1.5 mm | | | | | | | Client ID | | | STD | | Rev | | Blad | 1 (4) |

This document must not be copied without our written permission, and the contents thereof must not be imparted to a third party nor be used for any unauthorized purpose. Contravention will be prosecuted.