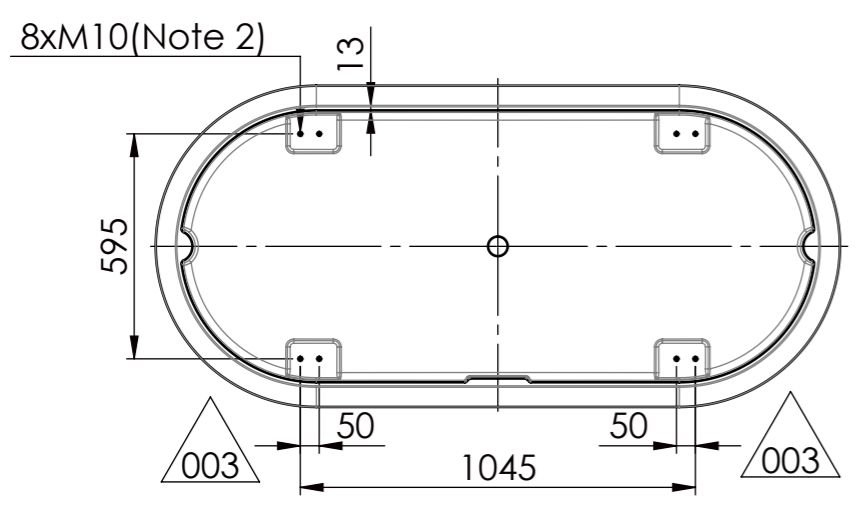


Bottom view



Tolerance length/width/height	+10/-10 mm
Tol. plane bending	≤800 mm +1,5/-1,5 mm
	>800 mm +3/-3 mm
Tolerance holes location	+3/-3 mm
Tolerance wall thickness	+1/-1 mm
Tolerance feet location	+5/-5 mm

Drawn by	Created Date	Checked by	Art. Name:
Project status	Client		Art. No: 6011821810xx
			Customer ID: STD
Material volume[mm³]	Overflow	Taphole	Main dimensions L x W / H [mm]
No	No	No	1810 x 850 / 600
Surface area[mm²]	Sheet Size	Scale	Drain
	A3	1:15	Regular
			Current revision

