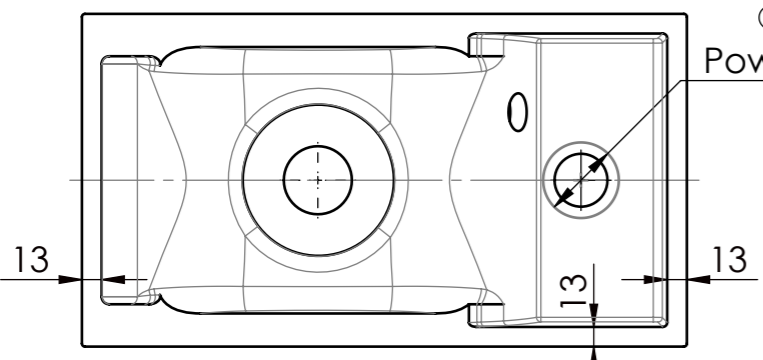


Bottom view/  
Widok od dołu

Ø 50 Flat area/  
Powierzchnia płaska



Tolerance length	+3/-0 mm
Tolerance length granite	+1.5/-1.5 mm
Tolerance Taphole Location	+3/-3 mm
Tolerance overflowhole Location	+3/-3 mm
Tolerance plane bending	+1.5/-1.5 mm

Drawn by	Created Date	Checked by
Project status	Client	

Art. Name:		Art. No: 6000570401xx	
Customer ID: STD		Material volume(mm³)	
Overflow	Taphole	Main dimensions L x W / H (mm)	
Yes	1	400 x 220 / 120	Drain
Surface area(mm²)	Sheet Size	Scale	Current revision
A3	A3	1:2	001