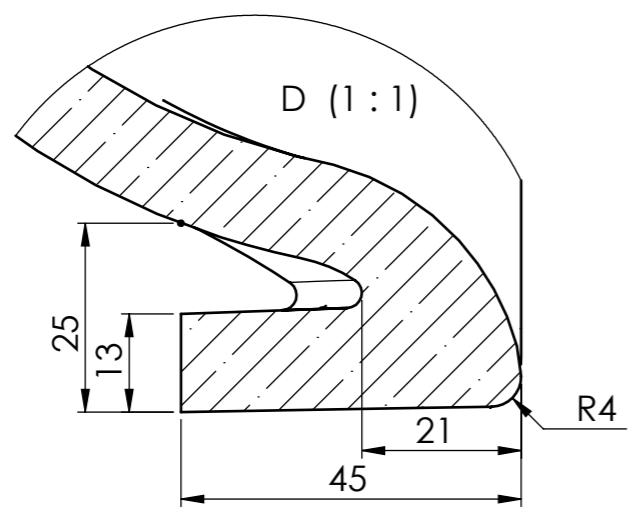
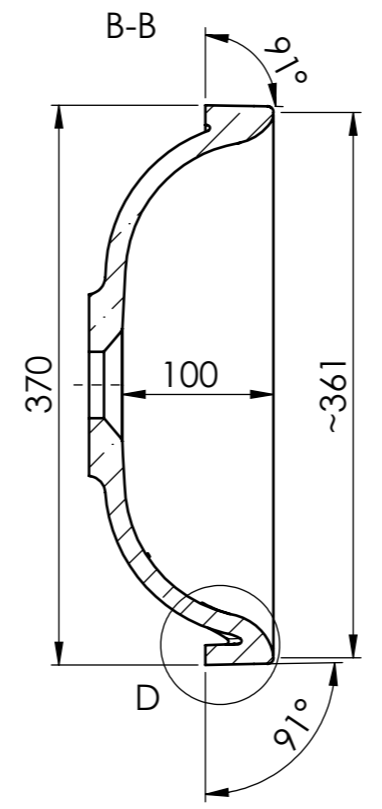
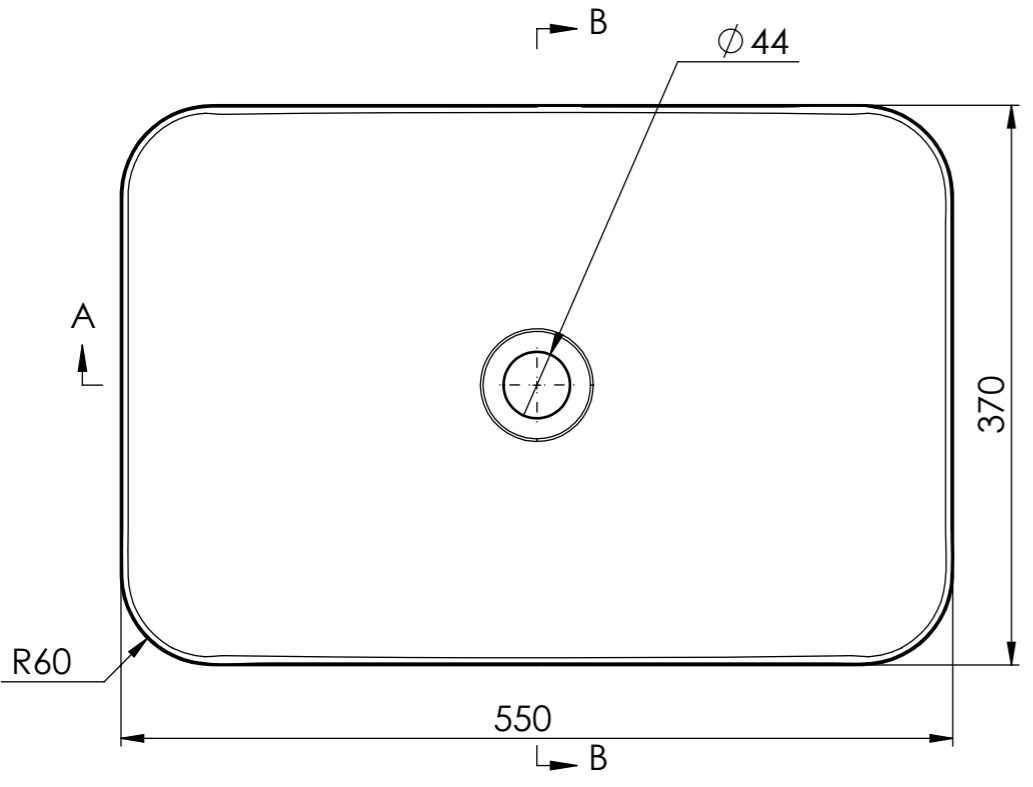
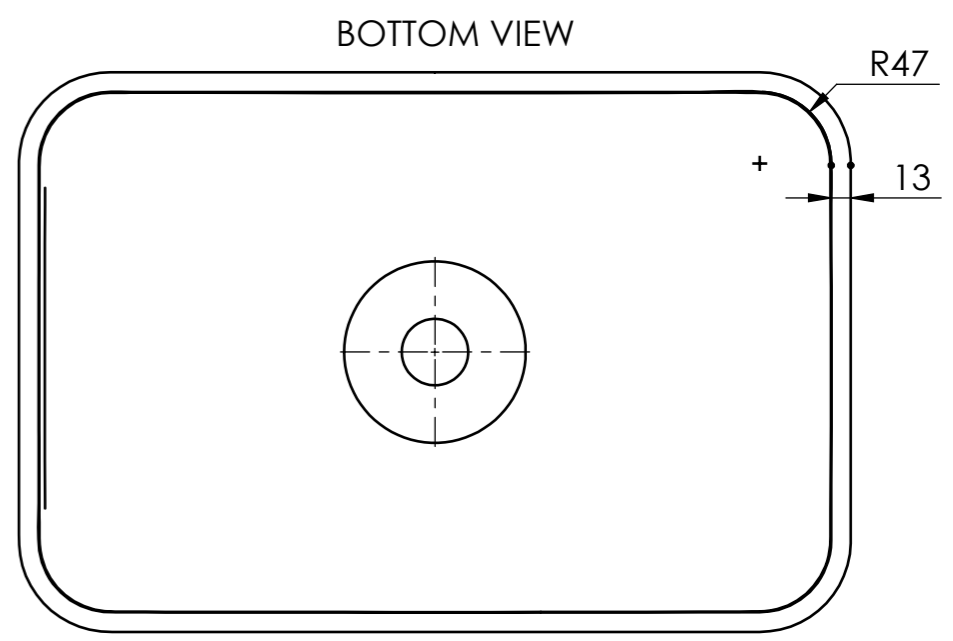
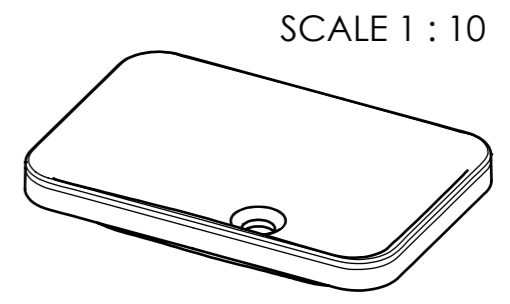
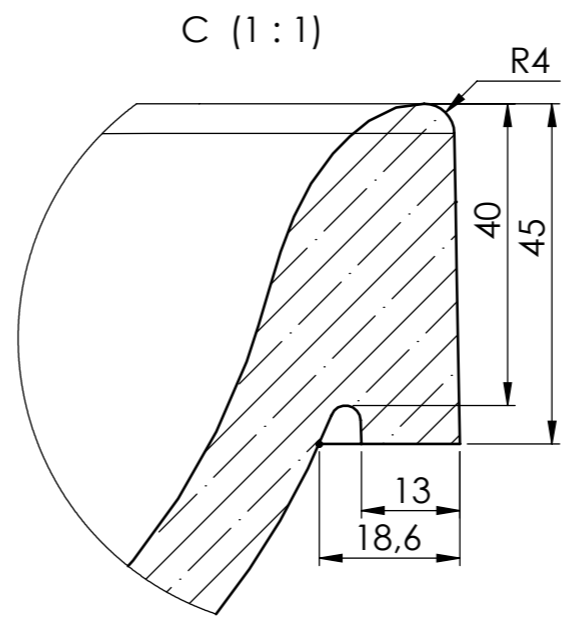
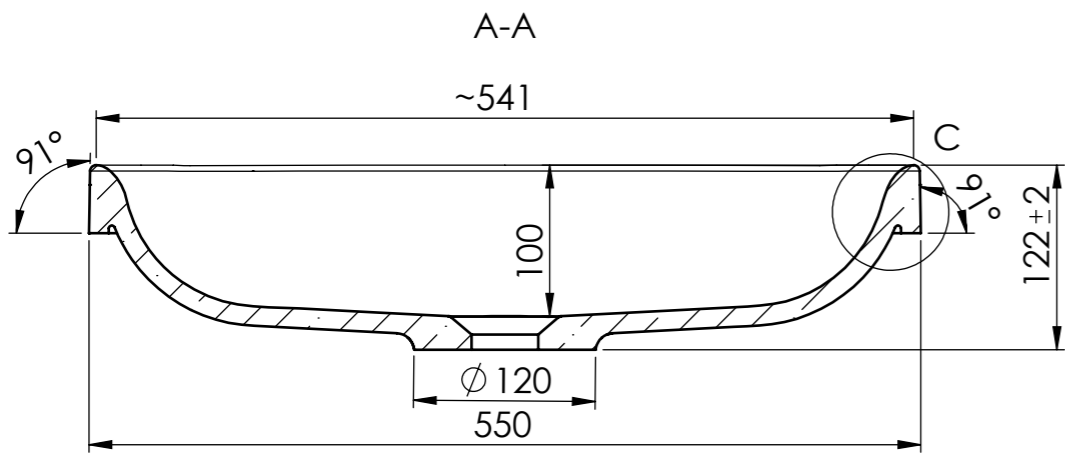


1 2 3 4 5 6 7 8

A
B
C
D
E
F

A
B
C
D
E
F



Tolerance length	+3/-0 mm	Drawn by	Created Date	Checked by	Art. Name:
Tolerance length granite	+1.5/-1.5 mm	Project status	Client		Art. No: 6000190610xx
Tolerance Taphole Location	+3/-3 mm				Customer ID: STD
Tolerance overflowhole Location	+3/-3 mm				Material volume(mm³)
Tolerance plane bending	+1.5/-1.5 mm				Overflow No
					Scale
					Sheet Size
					Current revision
					001

www.icni.com/unlock.htm

1 2 3 4 5 6 7 8