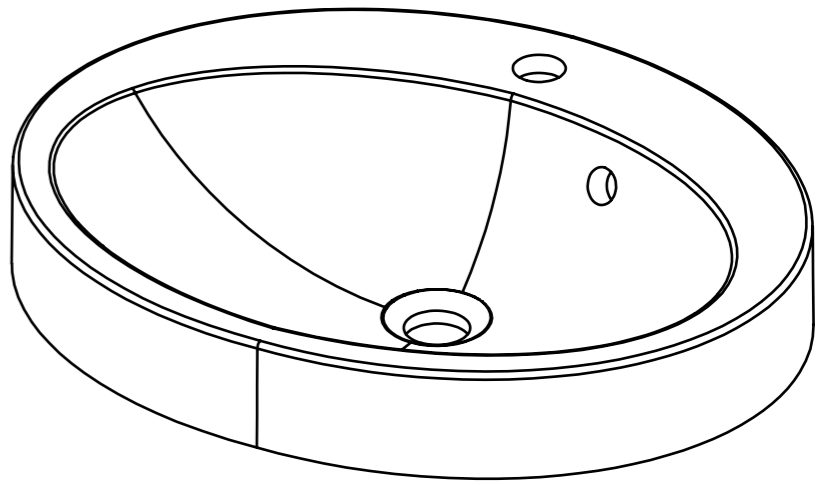
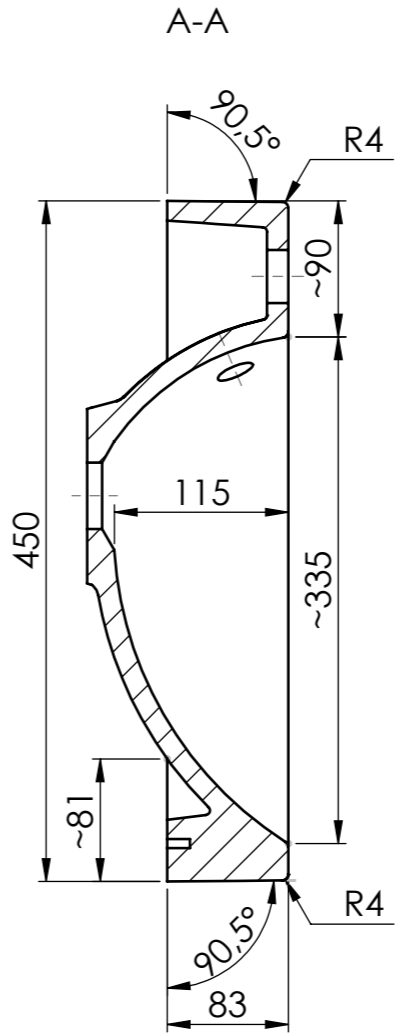
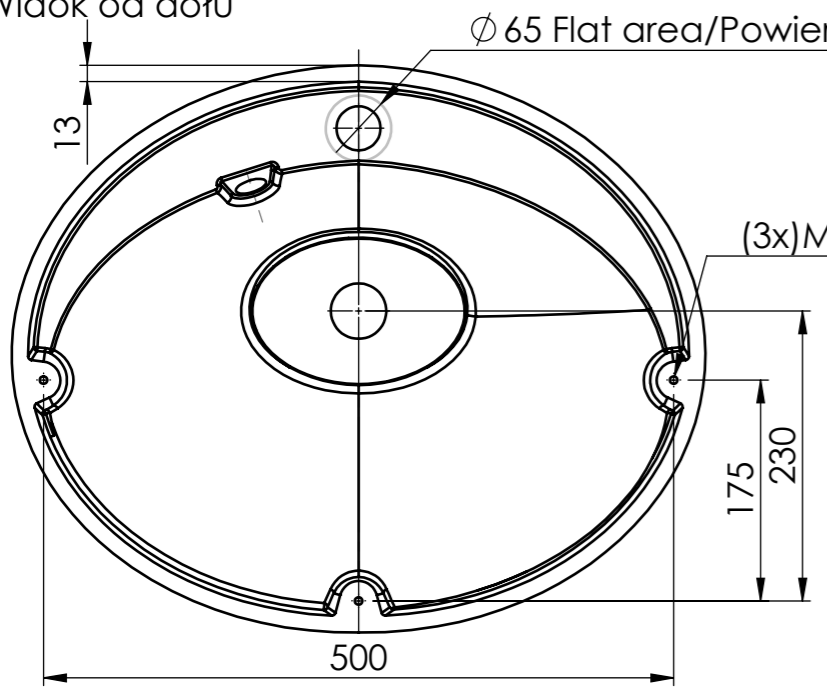


Note 1



Bottom view/  
Widok od dołu



Ø 65 Flat area/Powierzchnia płaska

(3x)M6 Nylon bushing/Plastikowy kolek

Tolerance total	length	+3/0 mm	Drawn by	Created Date	Checked by	Art. Name:
	width	+2/0 mm	Project status	Client		
Tol. height side walls	height	+2/-2 mm			Material volume[mm <sup>3</sup> ]	Overflow
	≤25 mm	+1/-1 mm	Yes	1		
Tolerance holes location		+2/-2 mm	Surface area[mm <sup>2</sup> ]	Sheet Size	Scale	Current revision
Tolerance plane bending		+1,5/-1,5 mm				