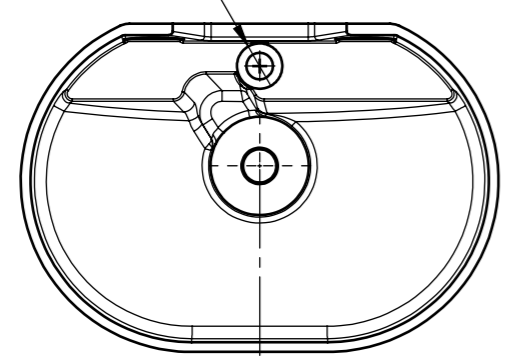


Bottom view/  
Widok od dołu  
Ø 60 Flat area/  
Powierzchnia płaska



Tolerance total	length	+3/0 mm	Drawn by	Created Date	Checked by	Art. Name:
	width	+2/0 mm	Project status	Client		
Tol. height side walls	≤25 mm	+1/-1 mm				
	>25 mm	+2/-2 mm				
Tolerance holes location	+2/-2 mm					
Tolerance plane bending	+1,5/-1,5 mm					
			Material volume(mm³)	Overflow	Tap hole	Main dimensions L x W / H (mm)
			Surface area(mm²)	Sheet Size	Scale	Drain
				A3	1:5	632 x 434 / 157
			Current revision			