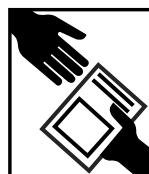
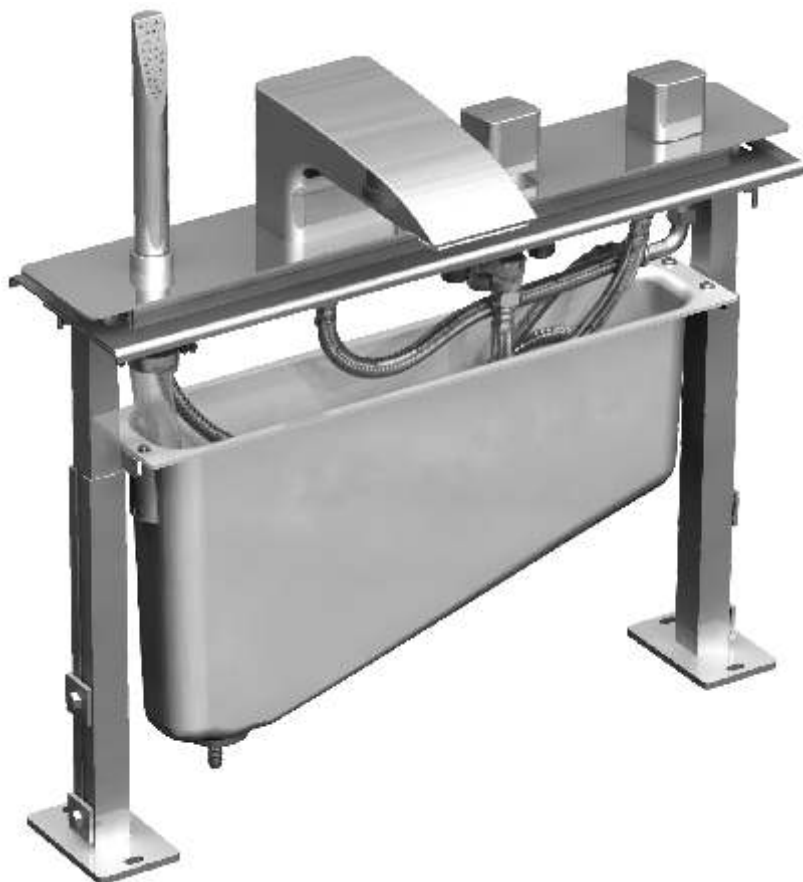
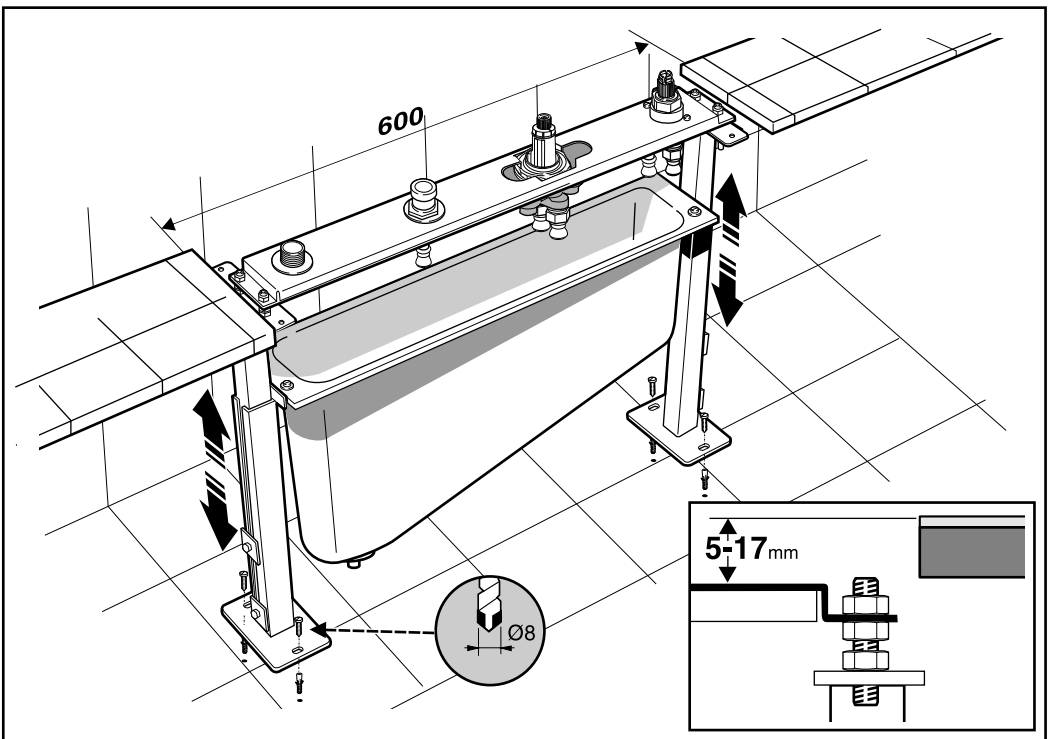
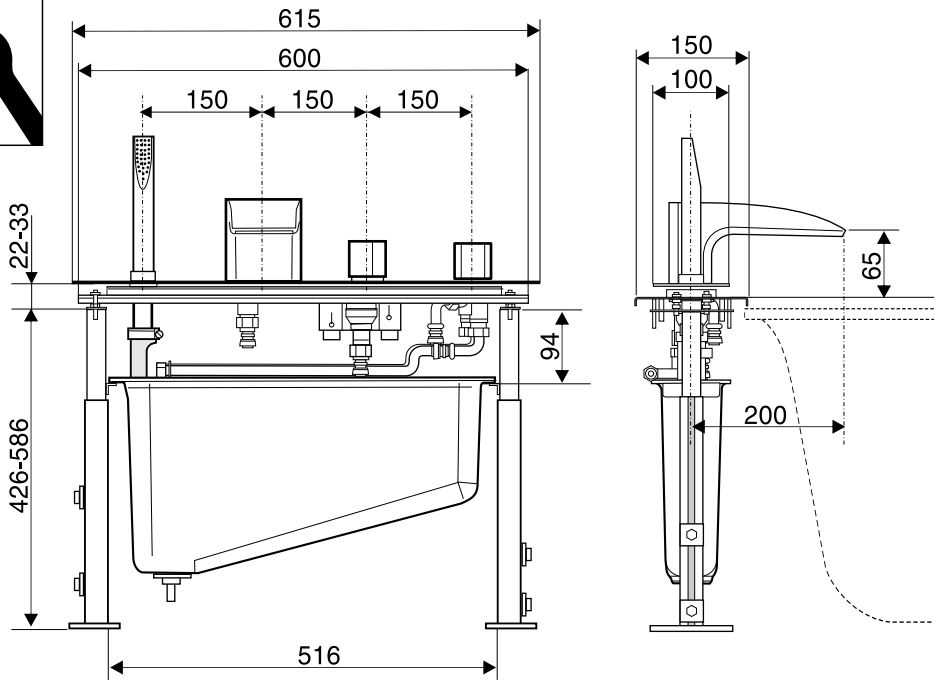


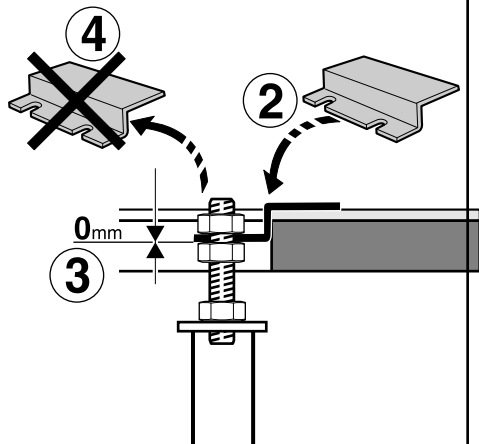
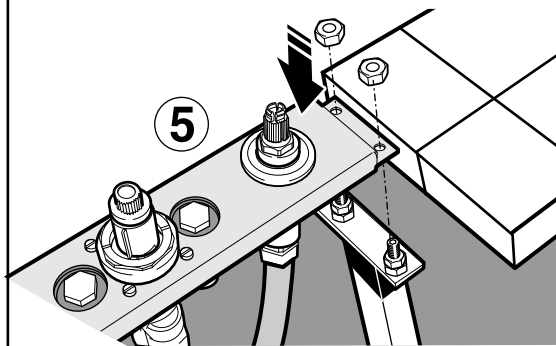
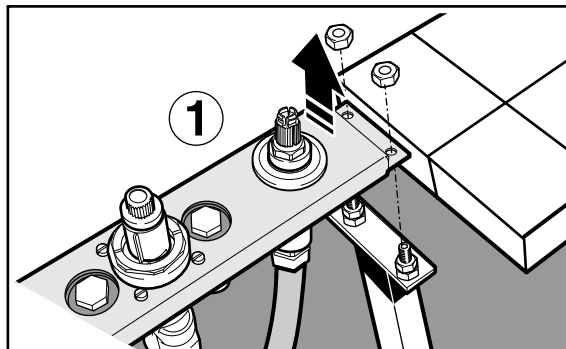
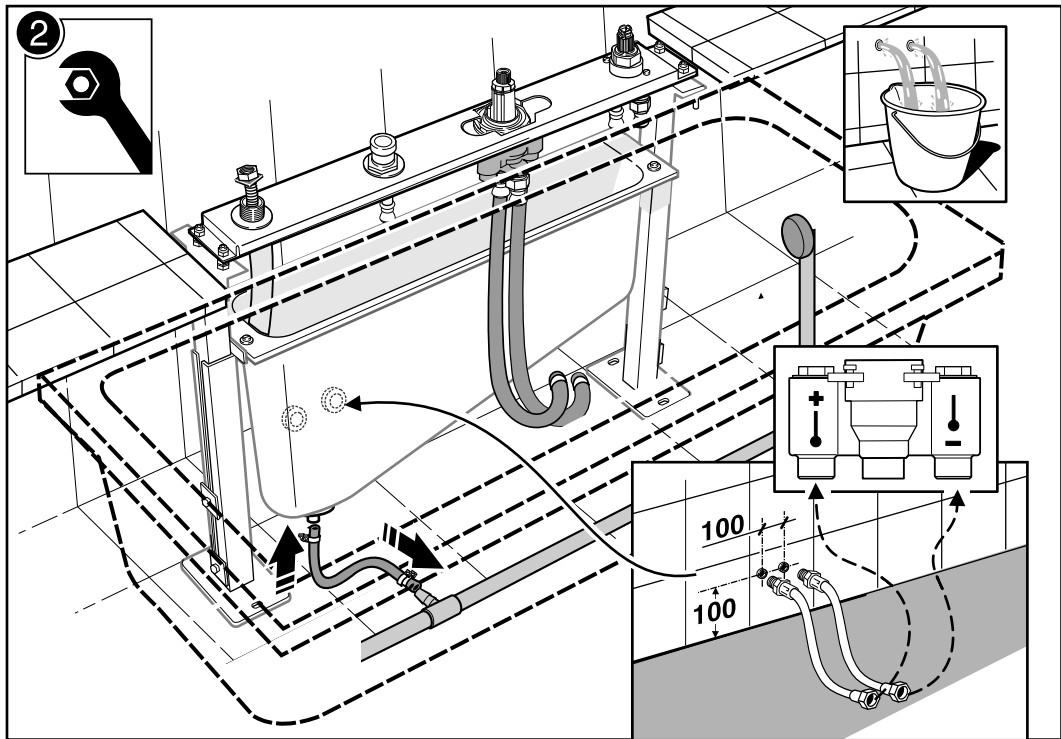
# Roca

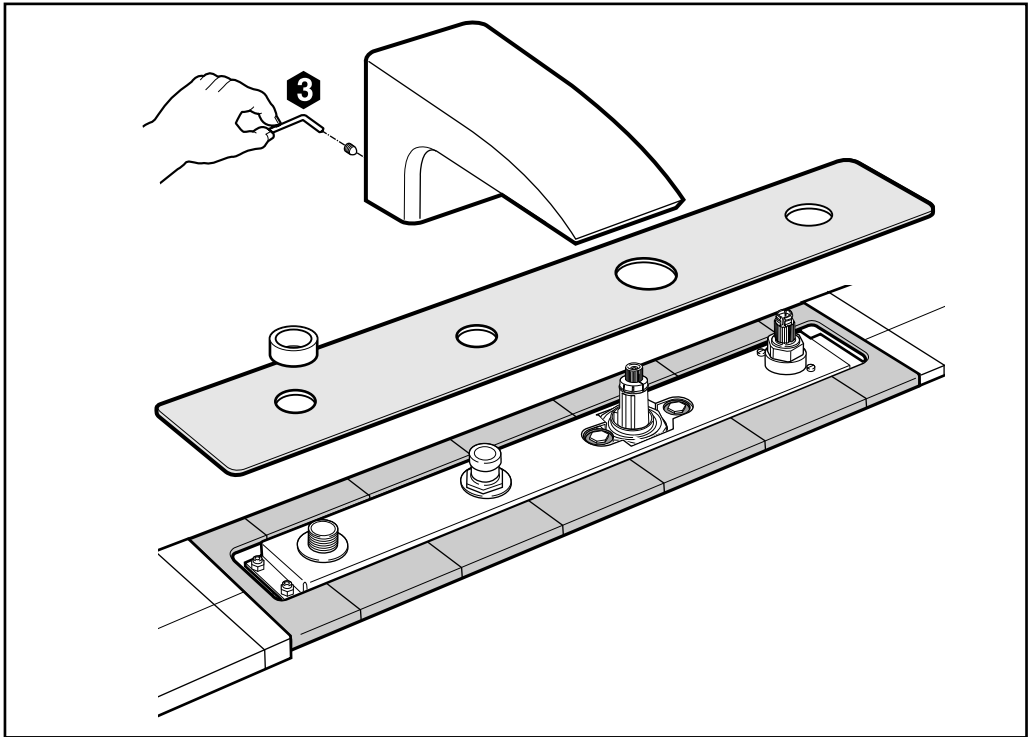
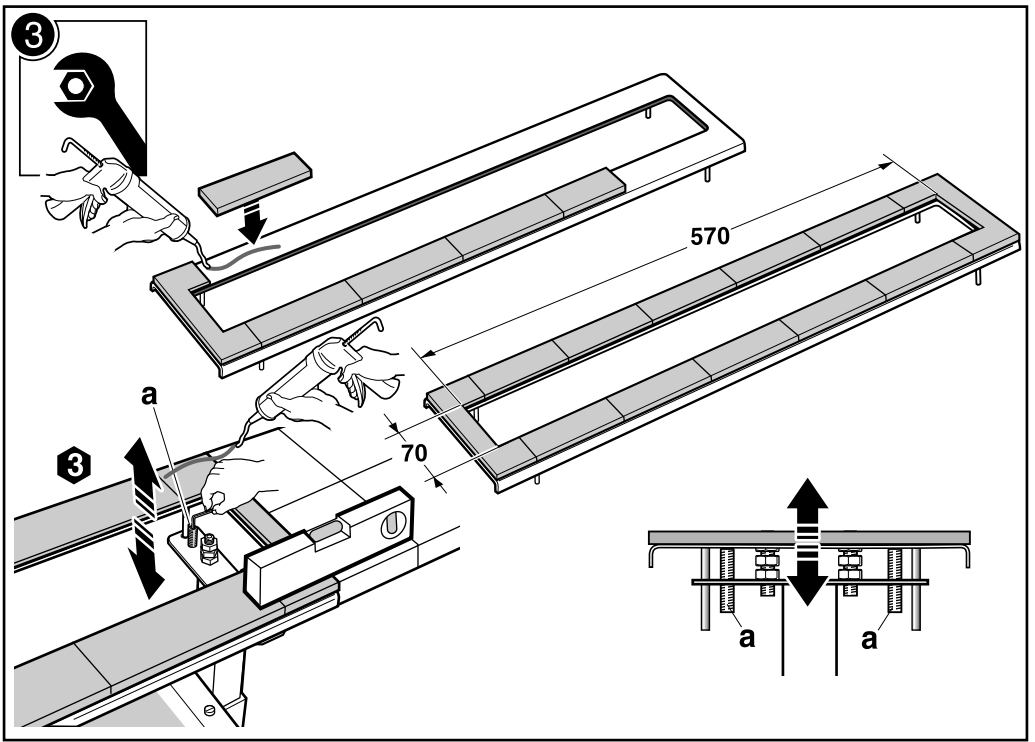
---

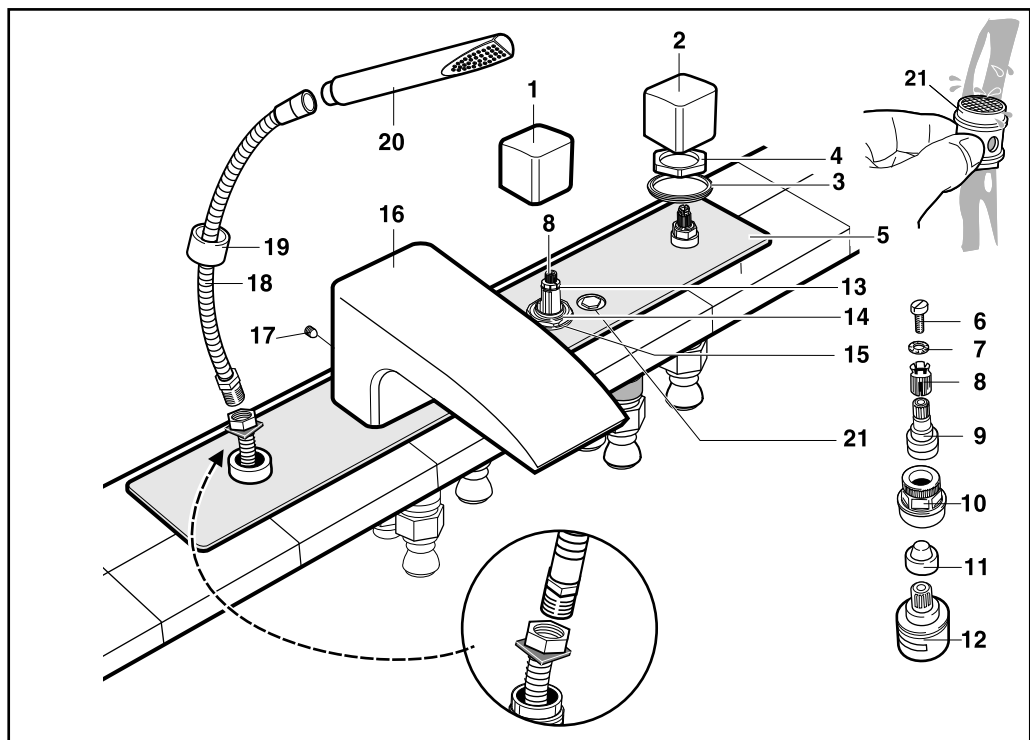
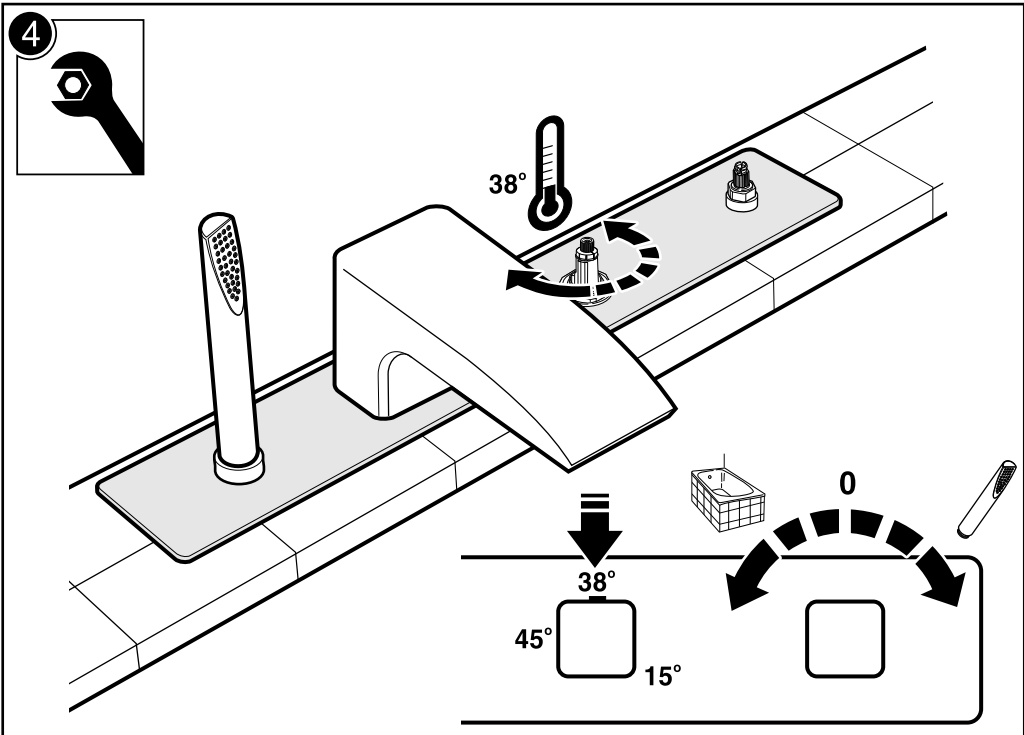
## THESIS-T

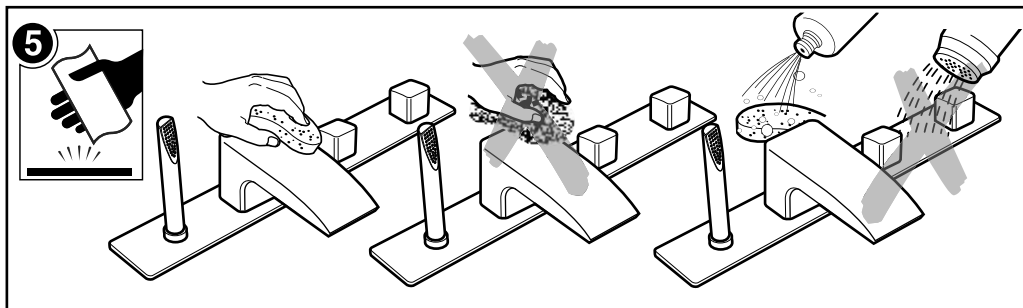




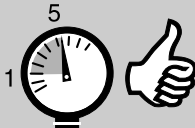


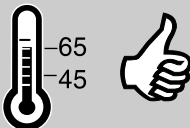

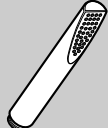
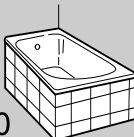










 <b>P</b>	P bar		
 <b>T</b>	°C		
 <b>Q</b> (3 bar)	l/min	12 	20 

1 - 524528800  
2 - 523823000  
3 - 553355607  
4 - 522636103  
5 - 524814900

6 - 542624503  
7 - 522760903  
8 - 523783707  
9 - 522418203  
10 - 522634703

11 - 522419503  
12 - 505121307  
13 - 505908203  
14 - 553357207  
15 - 523814100

16 - 541101400  
17 - 522664203  
18 - 525769700  
19 - 542670400  
20 - 5B9047C00  
21 - 525764503

**Roca Sanitario, S.A.**

Avda. Diagonal, 513  
08029 Barcelona SPAIN  
Teléfono 93 366 1200  
Fax 93 419 4501  
www.roca.es

**Roca**